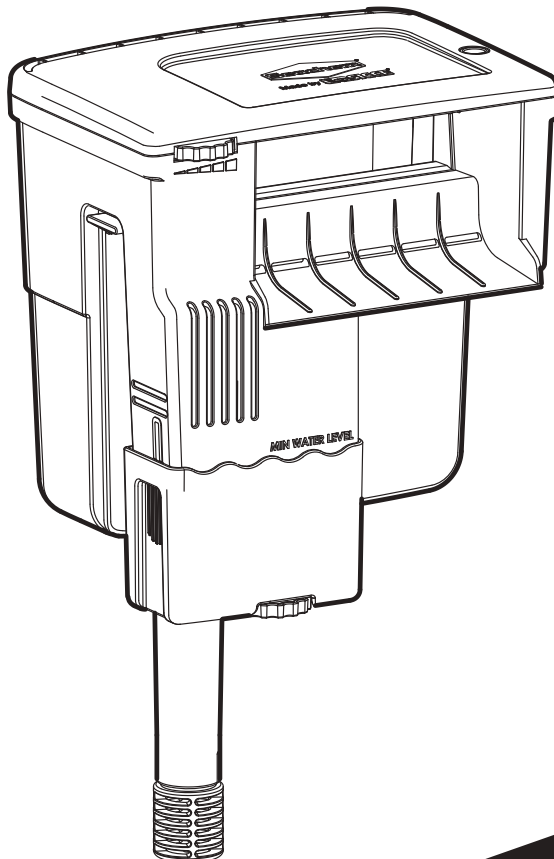


Tidal

55-75-110

Owner's Manual



Seachem Laboratories, Inc.
1000 Seachem Drive, Madison, GA 30052 USA
888-SEACHEM • www.seachem.com



Made by  SICCE®

English	1
Español	15
Français	27
Português	41
Italiano	53
Deutsche	65
Nederlands	77
Русский	89

IMPORTANT SAFETY INSTRUCTIONS

WARNING - To guard against injury, basic safety precautions should be observed, including the following:

READ AND FOLLOW ALL SAFETY INSTRUCTIONS

DANGER: To avoid possible electric shock, special care should be taken since water is employed in the use of aquarium equipment. For each of the following situations, do not attempt repairs by yourself.; return the appliance to an authorized service facility for service or discard the appliance.

1. CAUTION: If electrical components of the appliance get wet, unplug the appliance immediately.
2. If the appliance shows any sign of abnormal water leakage, immediately unplug it from the power source.
3. Carefully examine the appliance after installation. It should not be plugged in if there is water on parts not intended to be wet.
4. Do not operate any appliance if it has a damaged cord or plug, or if it is malfunctioning or has been dropped or damaged in any manner.
5. To avoid the possibility of the appliance plug or receptacle getting wet, position aquarium stand and tank or the fountain to one side of a wall-mounted receptacle to prevent water from dripping onto the receptacle or plug. A "drip-loop" shown in fig. A should be arranged by the user for each cord connecting an aquarium appliance to a receptacle. The "drip-loop" is the part of the cord below the level of the receptacle or the connector if an extension cord is used, to prevent water traveling along the cord and coming in contact with the receptacle. If the plug or receptacle does get wet, DON'T unplug the cord. Disconnect the fuse or circuit breaker that supplies power to appliance. Then unplug and examine for presence of water in the receptacle.
6. Close supervision is necessary when any appliance is used by or near children.
7. To avoid injury, do not contact moving parts or hot parts such as heaters, reflectors, lamp bulbs and the like.
8. Always unplug an appliance from an outlet when not in use, before putting on or taking off parts and before cleaning. Never yank cord to pull plug from outlet. Grasp the plug and pull to disconnect.
9. Do not use an appliance for other than intended use. The use of attachments not recommended or sold by the appliance manufacturer may cause an unsafe condition.
10. Do not install or store the appliances where it will be exposed to the weather or to temperatures below freezing.
11. Make sure an appliance mounted on a tank is securely installed before operating it.
12. Read and observe all the important notices of the appliance.
13. If an extension cord is necessary, a cord with a proper rating should be used. A cord rated for less amperes or watts than the appliance rating may overheat. Care should be taken to arrange the cord so that it will not be tripped over or pulled.
14. 14) This appliance has a polarized plug (one blade is wider than other). As a safety feature, this plug will fit in a polarized outlet only one way. If the plug does not fit fully in the outlet, reverse the plug. If it still does not fit, contact a qualified electrician. Never use with an extension cord unless plug can be fully inserted. Do not attempt to defeat this safety feature.

CAUTION: Pump is to be connected to a circuit that is protected by a Ground Fault Circuit Interrupter.

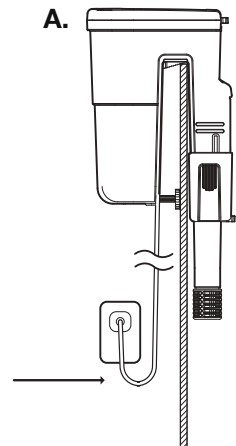
WARNING: To reduce the risk of electric shock, use only on portable self-contained fountains no larger than 5 feet in any dimension.

SAVE THESE INSTRUCTIONS

TIDAL FILTERS are made in conformity with the national and international security laws.

READ AND FOLLOW ALL SAFETY INSTRUCTIONS

1. Check that the current on the pump's label matches the outlet current. The pump has a differential switch (protector) through which the nominal current must be lower or equal to 30 mA.
2. Never operate the pump without water to avoid damage to the pump motor.
3. Before plugging in the pump, check that the cord and pump are not damaged.
4. The pump has a type Z cable link. The cable and plug cannot be substituted or repaired. In case of damage, replace the entire pump.
5. CAUTION: disconnect all submerged electrical products before doing maintenance in the water; in case the plug or electrical outlet is damaged, switch off the circuit breaker before disconnecting the plug from the outlet.
6. The filter can be run in liquids or in any environment with a maximum temperature of 35°C/95° F.
7. Do not use the filter for purposes (i.e. in bathroom or similar applications) other than for which it was designed for.
8. Avoid filter use with corrosive or abrasive liquids.
9. The filter has not been designed for use by children or mentally challenged individuals. Appropriate adult supervision or persons responsible for personal safety is required.
10. To prevent water from accidentally wetting the plug or electrical outlet, make a loop in the cord under the electrical outlet level (see Pic. A)
11. Do not disconnect the filter from an electrical outlet by pulling the cord.
12. The filter can only be used in the above-mentioned applications and is only for indoor use.



INSTRUCTIONS FOR THE CORRECT DISPOSAL OF THE PRODUCT ACCORDING TO EU DIRECTIVE 2002/96/EC

When used or broken, this product does not have to be disposed with other waste. It can be delivered to specific electrical waste collection centers or to dealers who provide this service. Disposal of electrical products separately avoids negative consequences for the environment and for overall public health and allows the reuse of materials providing savings of energy and resources.

LIMITED WARRANTY

Seachem guarantees this product (see Exclusions below) to the original purchaser against defects of materials and workmanship for a period of five (5) years from the date of original purchase, except for the pump's impeller, which is guaranteed for a period of six (6) months. This warranty is limited to repair or replacement (at Seachem's option) of defective product only and does not cover loss of aquarium life, personal injury, property loss, or damage arising from the use of the product. You must retain original proof of purchase to validate the warranty. Any warranty herein shall run concurrently with, and not in addition to, any minimum warranty periods established by applicable law.

Claims made under warranty shall be filed online at www.seachem.com by the original purchaser and who must provide proof of purchase at the time of filing. The claimant must obtain a "Return Merchandise Authorization" at the time of filing before sending any product for warranty or technical service. The purchaser bears the cost of shipping to and from the service center or repair station.

EXCLUSIONS. This warranty does not cover the following: *Damage resulting from accident, misuse, abuse, lack of reasonable care, use of the product that is other than normal or ordinary, using the project in abnormal working conditions or any other failures not resulting from defects in materials or workmanship. *Damage resulting from modification, tampering with or attempted repair by anyone other than Seachem or its designee. * Transfer of the product to someone other than the original purchaser. * Subjecting the product to electrical service not specified in the packaging; the original purchaser is responsible for providing adequate electrical facilities.

EXCLUSION DAMAGES AND LIMITATION OF IMPLIED WARRANTIES

Your sole and exclusive remedy is product repair or replacement as provided in this Limited Warranty. The company disclaims any liability for incidental and consequential damages for breach of any express or implied warranty or conditions, including the implied warranties or conditions of merchantability, merchantable quality, fitness for a particular purpose, or of satisfactory quality with respect to this product. This writing constitutes the entire warranty agreement of the parties with respect to the subject matter hereof, no waiver or amendment shall be valid unless in writing signed by Seachem. Any implied warranties herein are limited to one year or the shortest period allowed by the law of your jurisdiction.

TECHNICAL SPECIFICATIONS

	Tidal 55		Tidal 75		Tidal 110	
Aquarium Size	Up to 55 US Gal	Up to 200 Liters	Up to 75 US Gal	Up to 300 Liters	Up to 110 US Gal	Up to 400 Liters
Flow Rate	250 US GPH	1000 L/H	350 US GPH	1500 L/H	450 US GPH	2000 L/H
Watts	6	5	8	7	12	10
	(120 v - 60Hz)	(230 v - 50Hz)	(120 v - 60Hz)	(230 v - 50Hz)	(120 v - 60Hz)	(230 v - 50Hz)
Filter Volume	0.32 US Gal	1.2 Liters	0.50 US Gal	1.9 Liters	0.85 US Gal	3.2 Liters

INTRODUCTION

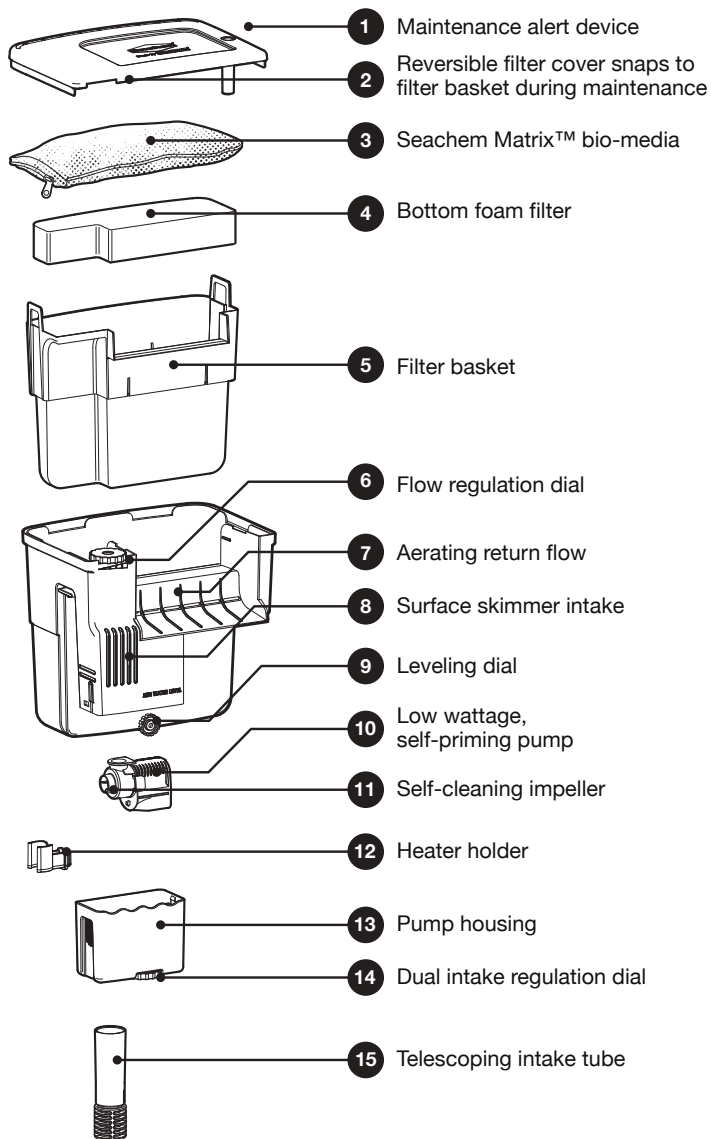
Congratulations on the purchase of your new Seachem Tidal™ hang on power filter. You can be completely confident that you have invested in a well-engineered premium filter that will keep your aquarium clean and healthy with minimal maintenance for years to come. The Seachem Tidal™ range of filters has been designed and made specifically for Seachem by Sicce in Italy to insure the highest quality and top performance possible.

Features:

1. Low wattage to high flow ratio allows for power savings with excellent circulation
2. Silent operation for even the quietest home or office environment
3. Self-priming pump allows for reliable easy start up
4. Low maintenance for ease of long-term aquarium care
5. Self-cleaning impeller reducing need for pump maintenance
6. Non-corrosive parts allow for use in freshwater or saltwater aquariums
7. Exceptional high capacity filter basket allows for use of virtually any filter media
8. Included Seachem Matrix™ bio-media completely removes ammonia, nitrite and nitrate
9. Removable filter basket allows for easy remote cleaning
10. Filter cover doubles as a secure tray for filter basket to avoid spilling while remote cleaning
11. Ventilation slots allow even airflow and enhanced gas exchange
12. Compressed profile reduces interference with aquarium placement
13. Leveling dial allows for exact positioning on aquarium wall
14. Surface skimming pulls floating organics and scum from aquarium surface
15. Adjustable flow rate allows for versatile use in a range of aquarium environments
16. Adjustable intake from surface vs. depth allows for focus on specific filtered area
17. Telescoping intake allows for intake at any depth
18. Heater holder clip allows for secure and even heat dispersion through the filter's flow
19. Return flow wall offers aeration slots to increase redox and aeration of aquarium
20. Maintenance monitor shows when the filter basket needs cleaning

Simply put, you have purchased the best hang on filter available. Thank you.

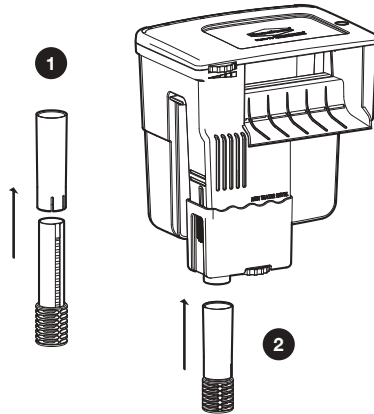
PARTS CHECKLIST



ASSEMBLY AND STARTUP

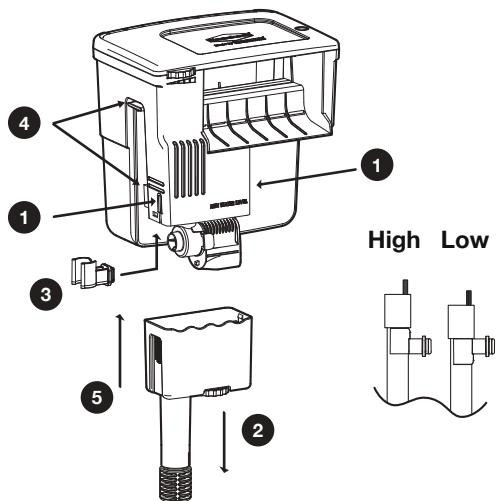
Insert bottom half of the telescoping intake tube into the top half (1). Then, insert the telescoping intake tube in place on the pump case (2). (Figure 1)

Figure 1



If you wish to hang a heater on the filter (Figure 2), press the sides of the filter (1), pull down to remove the pump housing (2), slide in the heater holder to the bottom of the filter housing (3). The heater holder can be inserted to face up or down depending on the desired position of the heater. Insert the pump's cable into the guides (4) before re-placing the pump's housing (5).

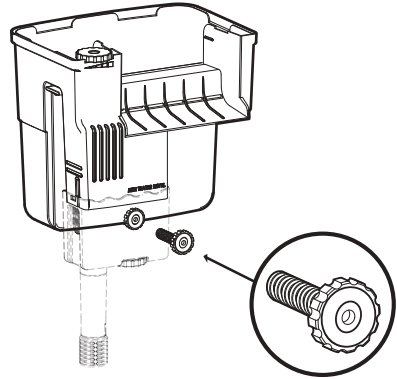
Figure 2



ASSEMBLY AND STARTUP

Screw the filter leveling dial into the bottom of the filter housing to prepare to hang and level the filter.

Figure 3



Place the filter on the aquarium edge (Figure 4-A) and adjust the leveling dial by screwing or unscrewing it until the filter is level with the aquarium.

Insert the pump cord into the guides as shown (Figure 4-B) and run the cord to the outlet making certain to form a drip loop as shown in the Safety Instructions and in Figure 4-B.

Figure 4-A

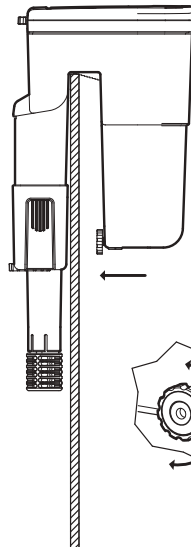
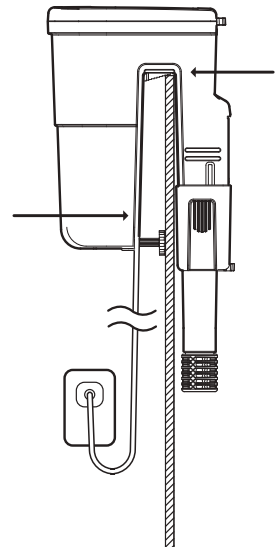


Figure 4-B



FILLING THE FILTER MEDIA BASKET

Remove all plastic bags containing filtration media prior to starting the filter. All Tidal™ Filters have been designed to hold any type of filter media. In general there are three types of filtration used in most aquaria – mechanical, chemical, and biological.

Mechanical filtration includes media that capture waste for removal directly from the filter. Chemical filtration includes filtration media, which work to chemically remove dissolved compounds from the water. Biological filtration provides a housing for bacteria to grow and breakdown organic waste.

All Tidal™ Filters include a bottom foam filter for mechanical filtration and Matrix™ bio media for exceptional biological filtration. There are a variety of chemical filtration options available for many differing purposes given a variety of aquarium environments. Seachem MatrixCarbon™ is a preferred option in almost any aquarium setup. MatrixCarbon™ is available pre-bagged for any size Tidal™ Filter.

Thoroughly rinse the foam filter and all filter media under running water before placing them in the filter basket. Layer the media with the foam filter on the bottom, then any chemical filtration media such as MatrixCarbon™ and lastly the Matrix™ biological media. Do not remove Matrix™ from its mesh bag. The bag is packaged folded over; lay mesh bag lengthwise and distribute Matrix™ evenly before placing in it in the filter basket. In order to more quickly seed Matrix™ with bacteria, we recommend the addition of Seachem Stability™ to your aquarium. The internal basket prevents water bypass and allows for quick removal and cleaning of the foam filter and any media used. To avoid interfering with proper flow through the filter do not overfill the filter media basket. An indication of this will be activation of the maintenance alert or dripping from the right side of the return flow wall (see Figure 10, page 12).

Figure 5: Layering Filtration Media (bottom to top)



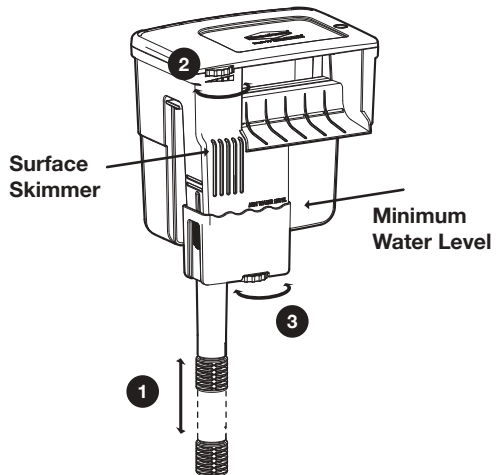
STARTING THE FILTER

After assembly and installation of the Tidal™ Filter on a filled aquarium connect the power cord to the intended outlet. The filter is self-priming and will immediately begin filtering water. Adjust the three possible settings according to preferences or needs (Figure 6):

1. Raise or lower the telescoping intake to the desired depth in the aquarium.
2. Adjust the total amount of flow through the filter. Adjust performance to a specific aquarium volume, type, or provide an environment for fish which prefer more or less water movement or oxygenation. This feature offers up to 80% reduction of maximum flow intake while making continuous full use of the filter motor. When reduced intake flows are selected, the refiltration grid allows for water to re-circulate through the filter media to maximize filtration performance through increased contact time
3. Adjust the amount of flow intake from the surface vs. the telescoping intake.

The minimum water level in the aquarium should not fall below the “Minimum Water Level” mark. A lower level might stop the flow of water and cause damage to the pump – do not allow the pump to run dry. There is no maximum water level although it is recommended that the level not exceed the height of the of the surface skimmer slots.

Figure 6



MAINTENANCE

WARNING: Before any maintenance on the Tidal™ Filter, unplug it from the outlet.

Tidal™ Filters are made to offer excellent function with low maintenance. However, regular maintenance can aid dramatically in the overall health and well being of your aquarium. The maintenance alert device offers an excellent signal to perform routine maintenance on the Tidal™ Filter. The maintenance alert device indicates that flow is unable to move freely through the

filter media basket. When the maintenance alert rises above the filter cover to about ½” or 1 cm (Figure 7), it is time to clean the filter.

To begin cleaning the filter, (see Figure 8) lift the cover (1), slide the blue filter basket lock (2) to the front of the filter and remove the filter media basket by pulling up on the two side handles (3).

Figure 7

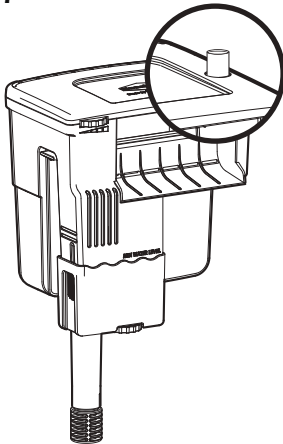
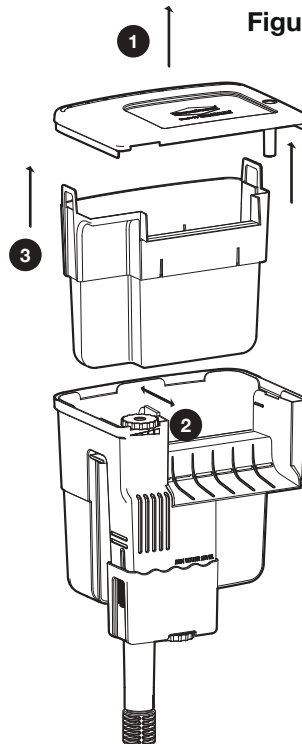


Figure 8



MAINTENANCE

Turn the cover over (Figure 9-A) and set the filter media basket into the slots on the cover (1). You can now carry the filter media basket to a cleaning area without spilling or dripping water.

Remove the bag of Matrix™ biological media, any chemical filtration media and the foam filter (Figure 9-B).

Rinse the foam filter thoroughly. Do not use any soaps or detergents as these can harm aquarium inhabitants. Rinse or replace any chemical filtration media as necessary. Replacement filtration packs designed specifically for Tidal™ Filter units (Matrix™, MatrixCarbon™, and Zeolite) are sold separately.

The bag of Matrix™ biological media contains important bacteria for the stability of the aquarium environment. Do not allow the media to dry out. The media can be rinsed gently in a container with some of the water from the aquarium to remove any slime coating that may build up on the media over time. If the Matrix™ media is replaced it is advisable to replace no more than half of the media at any time so as to protect the bacteria culture that allows for a stable aquarium environment. At this time we would suggest re-seeding the aquarium with Seachem Stability™. Rinse the filter media basket. Reassemble media and all components in reverse order.

Figure 9-A

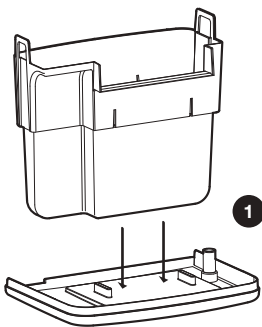
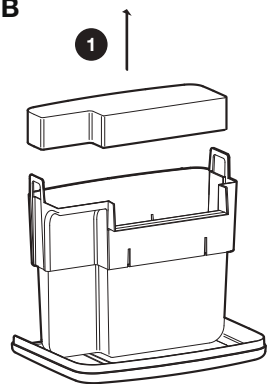


Figure 9-B



MAINTENANCE

If the filter starts to drip from the right side (Figure 10) of the return flow wall, it indicates that the filter media basket is completely clogged. Water in this case is bypassing filter media and a thorough cleaning is necessary to maintain the overall health of the aquarium.

Figure 10

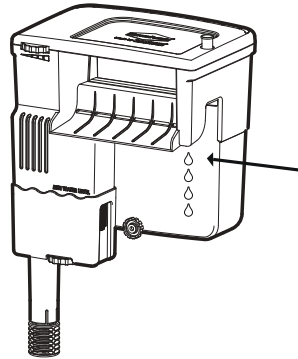
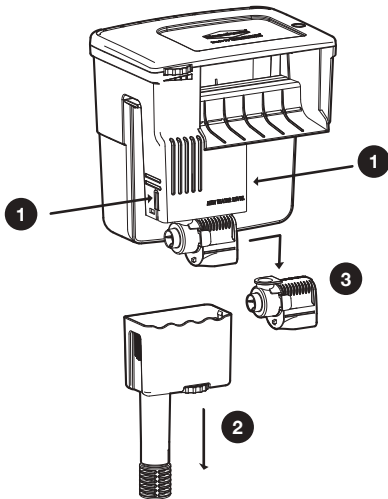
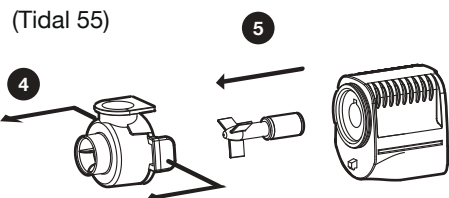


Figure 11-A



To service the pump, proceed as follows (Figure 11): Press the side of the filter (1), pull down on the pump housing (2), pull the power cord from the filter body and push the pump to the right until it clicks and releases (3). For Tidal 55 units, gently pull the intake cover of the pump (4, Figure 11-B) away. This will reveal the impeller (5).

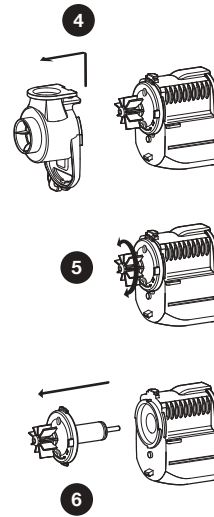
Figure 11-B



MAINTENANCE

For Tidal 75 and 110 units, pull up and back on the top clip of the impeller cover (4, Figure 11-C). Twist the base of the impeller counter-clockwise to unlock it (5), and then pull it free of it's housing (6).

Figure 11-C
(Tidal 75 & 110)



Wash the impeller thoroughly to remove any slime or scales build up. Do not use soap or detergent. If desired a dilute solution of vinegar and water can be used to breakup any scale or lime buildup.

After cleaning, replace the impeller insuring that it rotates freely around the shaft and replace the intake cover of the pump. Reassemble remaining components in the reverse order. Scale and limestone deposits and the natural wear-out of components might cause the silent nature of the pump to diminish. However, they do not affect the proper function of the filter. In such cases it is advisable to replace the impeller to return to the silent operation.

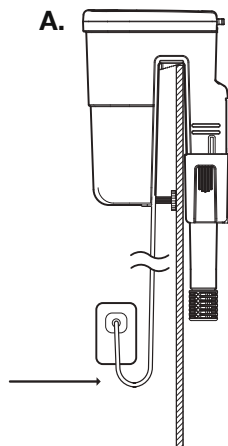
INSTRUCCIONES DE SEGURIDAD IMPORTANTES

ADVERTENCIA: Para evitar lesiones, se deben tomar precauciones básicas de seguridad, incluyendo las siguientes normas de seguridad:

Los FILTROS TIDAL están fabricados de conformidad con las legislaciones sobre seguridad nacionales e internacionales

LEA Y SIGA TODAS LAS INSTRUCCIONES DE SEGURIDAD

1. Comprobar que el voltaje de la bomba que se indica en la etiqueta sea igual al de la red eléctrica. El aparato debe recibir la alimentación a través de un interruptor diferencial (protector) con una corriente nominal inferior o igual a 30mA.
2. La bomba nunca debe funcionar sin agua para evitar daños en el motor.
3. Antes de conectar el aparato a la red eléctrica, comprobar que ni el cable ni la bomba presenten daños.
4. La bomba cuenta con una conexión de tipo Z. El cable y el enchufe no pueden sustituirse ni repararse. En caso de daño se deberá sustituir la bomba completa.
5. PRECAUCIÓN: Desconecte todos los aparatos eléctricos sumergidos antes de realizar trabajos de mantenimiento en el agua; en caso de que la clavija o la toma de corriente estén dañados, apague el interruptor automático antes de desconectar el enchufe de la toma.
6. El filtro se puede utilizar en líquidos o en ambientes con una temperatura máxima de 35 °C / 95 °F.
7. No utilizar el aparato con fines distintos al fin con el que se ha fabricado, como, por ejemplo, en cuartos de baño o aplicaciones similares.
8. No utilizar los filtro con líquidos corrosivos o abrasivos.
9. Este dispositivo no ha sido diseñado para su uso por niños o por personas con problemas mentales. Se requiere la supervisión adecuada de un adulto o de personas responsables de la seguridad personal.
10. Para evitar que el agua pueda accidentalmente mojar el enchufe o la toma de corriente, realizar un bucle con el cable justo debajo del nivel de la toma (Fig. A).
11. No desconecte el filtro de una toma de corriente tirando del cable.
12. El filtro puede utilizarse únicamente para las aplicaciones indicadas y solo puede funcionar en interior.
13. NO EXTRAVÍE ESTAS INSTRUCCIONES



ADVERTENCIAS PARA UNA ELIMINACIÓN CORRECTA DEL PRODUCTO SEGÚN LA DIRECTIVA EUROPEA 2002/96/EC

Al final de su vida útil o su avería, el producto no debe eliminarse junto con los otros desechos. Pueden llevarse a un centro de gestión de residuos eléctricos o a un vendedor que ofrezca estos servicios. Reciclar los electrodomésticos separadamente evita consecuencias negativas para el medio ambiente y para la salud pública en general, permite la reutilización de los materiales y supone un ahorro energético y de recursos.

GARANTÍA LIMITADA

Seachem garantiza este producto (ver Exclusiones abajo) al comprador original contra defectos de materiales y mano de obra durante un período de tres (3) años desde la fecha de compra original y puede ser extendida por dos (2) años adicionales con el registro del producto en www.seachem.com; todos los términos excepto para el impulsor de la bomba, que está garantizado por un período de seis (6) meses. Esta garantía se limita a reparar o reemplazar (a elección de Seachem) el producto defectuoso y no cubre la pérdida de la vida del acuario, lesiones personales, pérdida de propiedad o daño causado por el uso del producto. Debe conservar el comprobante de compra para validar la garantía. Cualquier garantía en este documento deberá transcurrir al mismo tiempo, y no además, de cualquier período de garantía mínimo establecido por la legislación aplicable.

Las reclamaciones bajo garantía deberán ser presentadas en línea en www.seachem.com por el comprador original y deben presentar prueba de compra en el momento de la presentación. El solicitante debe obtener una "Return Merchandise Authorization" en el momento del registro antes de enviar cualquier producto para garantía o servicio técnico. El comprador corre con los gastos de envío desde y hacia el centro de servicio o taller de reparaciones.

EXCLUSIONES. Esta garantía no cubre lo siguiente: * Los daños causados por accidentes, mal uso, abuso, falta de cuidado razonable, que el uso del producto sea distinta de la normal u ordinaria, usado en proyectos en condiciones anormales de trabajo o cualesquiera otros fallos que no resulten de defectos en los materiales o mano de obra. * Los daños derivados de la modificación, alteración o intento de reparación por cualquiera que no sea Seachem o su representante. * La transferencia del producto a una persona distinta del comprador original. * Someter el producto a un servicio eléctrico no especificado en el envase; el comprador original es responsable de proporcionar las instalaciones eléctricas adecuadas.

EXCLUSIÓN DE DAÑOS Y LIMITACIÓN DE GARANTÍAS IMPLÍCITAS

Su único y exclusivo derecho es la reparación o el reemplazo del producto como se indica en esta Garantía Limitada. La empresa se exime de cualquier responsabilidad por daños incidentales y consecuentes por incumplimiento de cualquier garantía o condición expresa o implícita, incluyendo las garantías implícitas o condiciones de comerciabilidad, calidad comercializable, aptitud para un propósito particular o de calidad satisfactoria con respecto a este producto. Este escrito constituye el acuerdo de garantía de las partes con respecto al objeto del mismo, ninguna renuncia o enmienda será válida a menos que esté por escrito firmada por Seachem. Cualquier garantía implícita en este documento está limitada a un año o el período más corto permitido por la ley de su jurisdicción

INTRODUCCIÓN

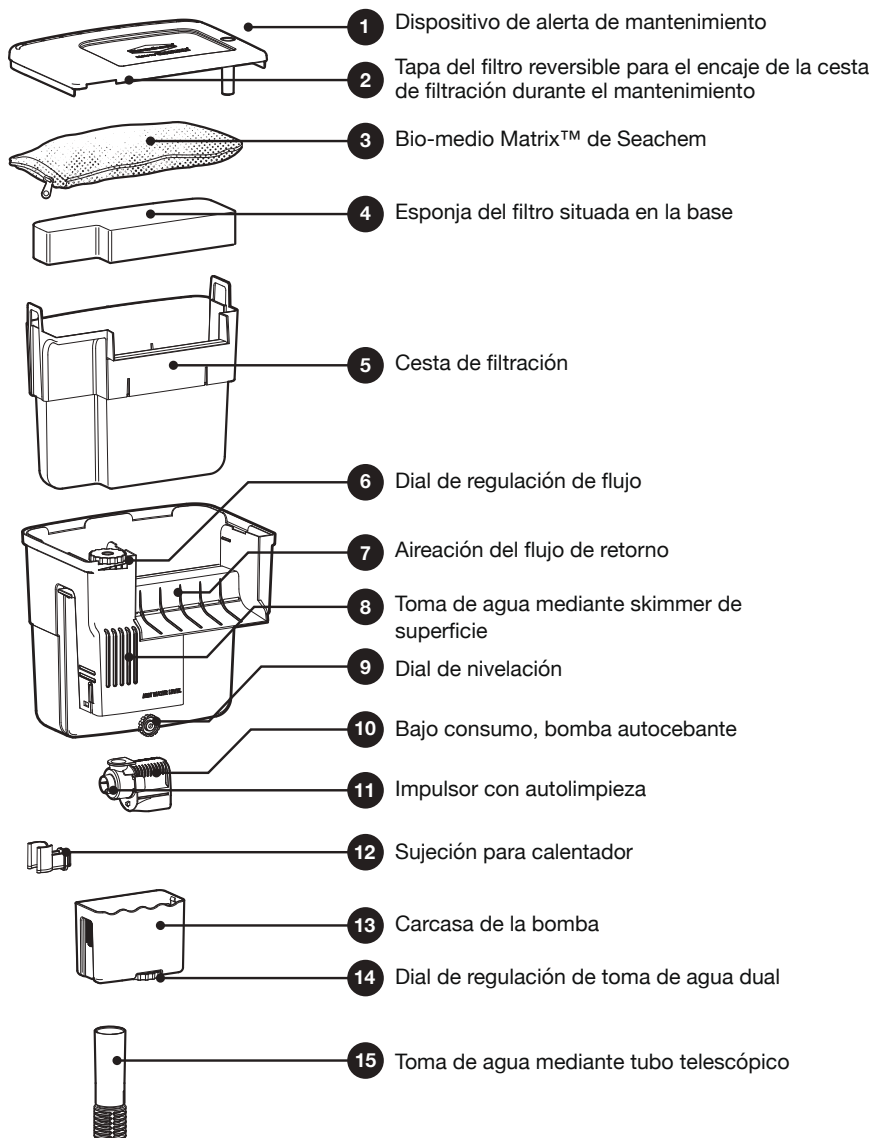
Felicitaciones por la compra de su nuevo filtro de cascada Tidal™ de Seachem. Puede estar completamente seguro de que usted ha invertido en un filtro de alta calidad bien diseñado que mantendrá su acuario limpio y saludable con un mantenimiento mínimo en los próximos años. La línea de filtros Tidal™ de Seachem ha sido diseñada y fabricada específicamente para Seachem por Sicce en Italia para asegurar la más alta calidad y el mayor rendimiento posible.

Características

1. Su bajo consumo para un flujo alto permite un ahorro de energía con una excelente circulación.
2. Operación silenciosa, incluso para el entorno de hogar u oficina más tranquilo.
3. El autocebado de la bomba permite una fácil puesta en marcha fiable.
4. Bajo mantenimiento para facilitar el cuidado del acuario a largo plazo.
5. La auto limpieza del impulsor reduce la necesidad de mantenimiento de la bomba.
6. Materiales no corrosibles permiten su uso en acuarios de agua dulce o salada.
7. La excepcional capacidad de la cesta de filtración permite el uso de virtualmente cualquier medio filtrante.
8. Incluye bio-medio Matrix™ de Seachem, que elimina por completo amoníaco, nitrato y nitrito.
9. Cesta de filtración removible que permite una limpieza remota fácil.
10. La cubierta del filtro funciona como una bandeja segura para la cesta de filtración, para evitar que se derrame agua durante la limpieza remota. Las ranuras de ventilación permiten incluso el flujo de aire y un intercambio gaseoso mejorado.
11. Su perfil comprimido reduce las interferencias para su colocación en el acuario.
12. El dial de nivel permite un posicionamiento exacto en la pared del acuario.
13. El skimmer de superficie retira orgánicos flotantes y espuma de la superficie del acuario.
14. Su velocidad de toma de agua ajustable permite un uso versátil en una gran gama de entornos de acuarios.
15. Su velocidad de toma de agua de superficie ajustable en relación con la toma de agua de profundidad permite el enfoque hacia un área de filtración específica.
16. La toma de agua telescópica permite la admisión a cualquier profundidad.
17. El clip de sujeción para calentador permite la dispersión segura y uniforme del calor a través del flujo del filtro.
18. El retorno de agua por la pared trasera ofrece ranuras de aireación para aumentar el redox y la aireación del acuario.
19. El monitor de mantenimiento muestra cuando la cesta de filtración necesita ser limpiada.

En pocas palabras, usted ha comprado el mejor filtro colgable disponible. Gracias.

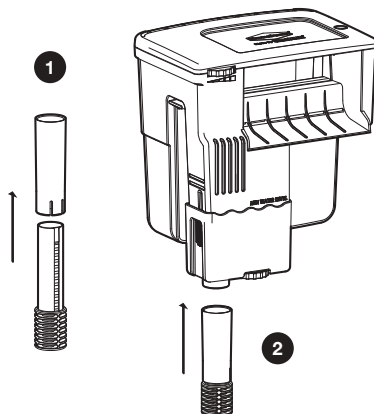
LISTA DE COMPONENTES



MONTAJE Y PUESTA EN MARCHA

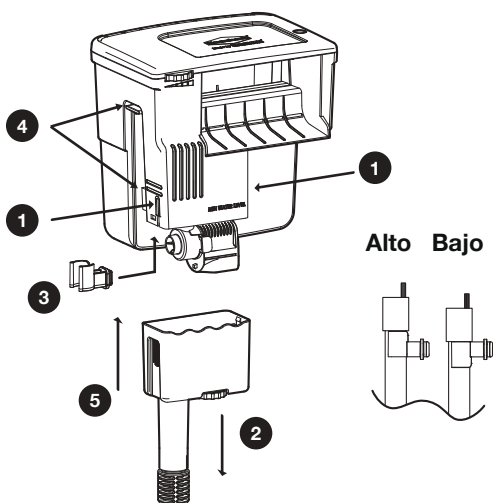
Inserte la mitad inferior del tubo de admisión en la mitad superior. Inserte el tubo de aspiración telescópico en su lugar en la caja de la bomba. (Fig 1)

Figura 1



Si desea colgar un calentador en el filtro (Fig 2), presione los lados del filtro (1), tire hacia abajo para quitar la cubierta de la caja de la bomba (2), deslice el soporte para calentador por la parte inferior de la carcasa (3). La sujeción del calentador se puede insertar cara hacia arriba o hacia abajo dependiendo de la posición deseada del calentador. Inserte el cable de la bomba en las guías (4) antes de volver a colocar la caja de la bomba (5).

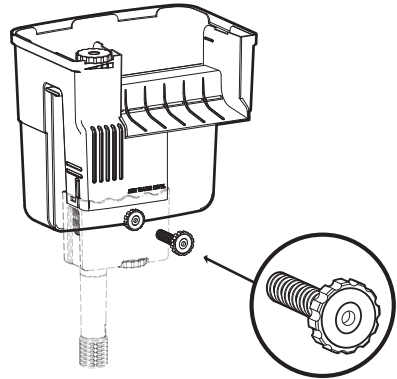
Figura 2



MONTAJE Y PUESTA EN MARCHA

Gire el dial de nivel del filtro en la parte inferior de la carcasa del filtro para prepararse para colgar y nivelar el filtro. (Fig.3)

Figura 3



Coloque el filtro en el borde del acuario (Fig. 4-A) y ajuste el dial de nivelación atornillando y desatornillando hasta que el filtro esté al nivel del acuario.

Inserte el cable de la bomba en las guías como se muestra (Fig 4-B) y lleve el cable a la toma de corriente formando un lazo de goteo como se muestra en las instrucciones de seguridad y en la Figura 4-B.

Figura 4-A

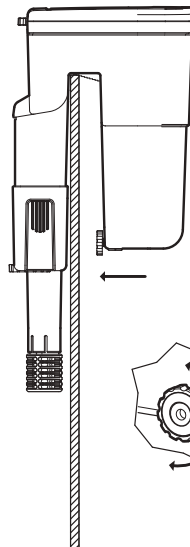
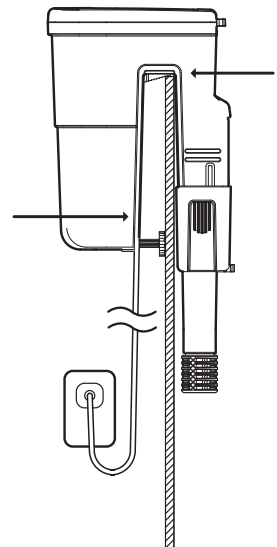


Figura 4-B



LLENANDO LA CESTA DE MEDIOS DE FILTRACIÓN

Elimine todas las bolsas de plástico que contienen medios de filtración antes de iniciar el filtro. Todos los filtros Tidal™ han sido diseñados para contener cualquier tipo de medios de filtración. En general hay tres tipos de filtración utilizados en la mayoría de los acuarios - mecánica, química y biológica.

La filtración mecánica incluye medios de filtración que capturan los residuos para la eliminación directamente desde el filtro. La filtración química incluye medios de filtración que trabajan para eliminar químicamente los compuestos disueltos del agua. La filtración biológica ofrece un alojamiento para el crecimiento de bacterias y la ruptura de residuos orgánicos.

Todos los filtros Tidal™ incluyen un filtro de esponja inferior para la filtración mecánica y bio medios Matrix™ para una filtración biológica excepcional. Hay una gran variedad de opciones de filtración química disponibles para muchos propósitos diferentes propuestos para una gran variedad de ambientes de acuario. MatrixCarbon™ de Seachem es la opción preferida en casi cualquier configuración de

acuario. Matrix Carbon™ está disponible pre-empaquetado para cualquier tamaño de filtro Tidal™.

Enjuague bien la esponja y todos los medios de filtración con agua corriente antes de colocarlos en la canasta del filtro. Coloque los medios de filtración con el filtro de esponja en la parte inferior, sitúe entonces cualquier medio de filtración química como MatrixCarbon™ y por último el medio biológico Matrix™. No retire Matrix™ de su bolsa de malla. La bolsa de malla se envasa plegada; estírela a toda su longitud y distribuya uniformemente Matrix™ antes de colocarla en la canasta del filtro. Con el fin de sembrar más rápidamente Matrix™ con bacterias se recomienda la adición de Stability™ de Seachem a su acuario. La cesta interna impide que el agua se desvíe y permite una extracción rápida y la limpieza de la esponja del filtro inferior y cualquier medio de filtración utilizado. Para evitar interferencias con el flujo adecuado a través del filtro no sobrecargue la cesta de los medios de filtración. Una indicación de esto será la activación de la alerta de mantenimiento o goteo en el lado derecho de la pared de retorno (Fig 10, página 25).

Fig 5: Capas de medios de filtración (de abajo a arriba)



INICIANDO EL FILTRO

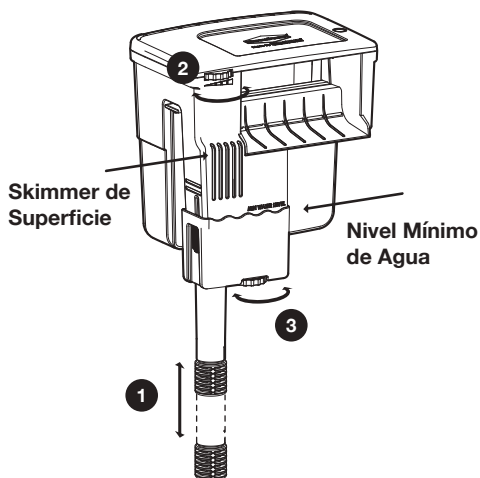
Tras el montaje y la instalación del filtro Tidal™ en un acuario lleno, conecte el cable de alimentación a la toma de corriente prevista. El filtro es autocebante e inmediatamente comenzará a filtrar el agua. Ajuste las tres configuraciones posibles de acuerdo a las preferencias o necesidades (Fig 6):

1. Alargue o reduzca la toma telescópica a la profundidad deseada en el acuario.
2. Ajuste la cantidad total de flujo a través del filtro. Ajustar el rendimiento para un determinado volumen del acuario, tipo o para proporcionar un entorno para peces que prefieran más o menos movimiento de agua u oxigenación. Esta característica ofrece una reducción de hasta el 80% sobre la tasa máxima de flujo, mientras que continúa haciendo pleno uso del motor del filtro. Cuando se seleccionan flujos reducidos, el sistema de re-filtración permite que el agua pueda volver a circular a través de los medios de filtro para maximizar el rendimiento de la filtración a través de un aumento del tiempo de contacto.

3. Ajustar la cantidad de la tasa de flujo de la superficie en relación con la tasa de flujo de la toma telescópica.

El nivel mínimo de agua en el acuario no debe caer por debajo de la marca "Minimum Water Level". Un nivel más bajo podría detener el flujo de agua y causar daños en la bomba - no permita que la bomba funcione en seco. No hay un nivel máximo de agua, aunque se recomienda que el nivel no sea superior a la altura de la de las ranuras de skimmer de superficie.

Figura 6



ADVERTENCIA: Antes de cualquier mantenimiento en el filtro Tidal™, desenchúfelo de la toma de corriente.

Los filtros Tidal™ están diseñados para ofrecer una excelente función con un bajo mantenimiento. Sin embargo, el mantenimiento regular puede ayudar drásticamente en la salud general y en el bienestar de su acuario. El dispositivo de alerta de mantenimiento ofrece una excelente señal para realizar el mantenimiento de rutina en el filtro Tidal™. El dispositivo de alerta de mantenimiento indica que el flujo no es capaz de moverse libremente a través de la cesta de filtración.

Cuando la alerta de mantenimiento se eleva por encima de la tapa del filtro en aproximadamente $\frac{1}{2}$ " o 1 cm (Fig 7), es el momento de limpiar el filtro.

Para empezar la limpieza del filtro, (Fig 8) levante la tapa (1), deslice el bloqueo de la cesta de filtración azul (2) hacia la parte delantera del filtro y retire el cesto de los medios de filtración tirando hacia arriba de las dos asas laterales (3).

Figura 7

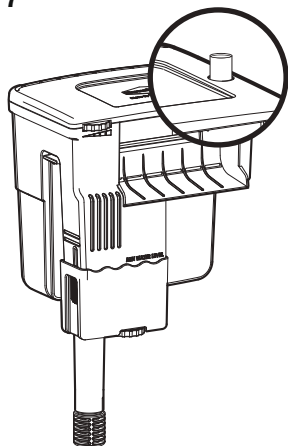
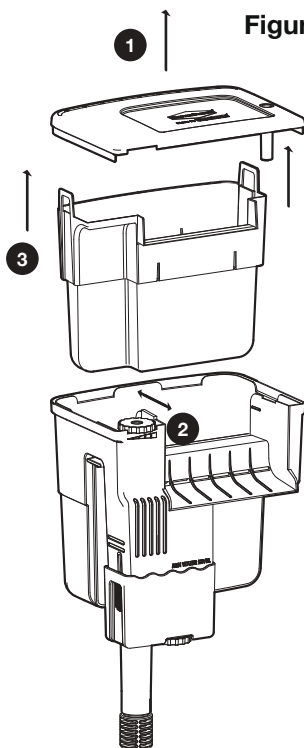


Figura 8



MANTENIMIENTO

De la vuelta a la tapa superior (Fig 9-A) y coloque la cesta de material de filtración en las guías de la tapa (1). Ahora puede llevar la cesta de medios de filtración a una zona de limpieza sin que se derrame o gotee agua.

Retire la bolsa del medio de filtración biológica Matrix™, todos los medios de filtración química y la esponja de filtración mecánica inferior (Fig 9-B).

Enjuague la esponja de filtración inferior a fondo. No utilice jabones o detergentes, ya que pueden dañar a los habitantes del acuario. Enjuague o reemplace cualquier medio de filtración química cuando sea necesario. Reemplace los paquetes de filtración de diseñados específicamente para las unidades de filtro Tidal™ (Matrix™, MatrixCarbon™ y zeolita), se venden por separado.

La bolsa del medio biológico Matrix™ contiene bacterias importantes para la estabilidad del ambiente del acuario. No deje que el material se seque. Los medios de filtración pueden ser enjuagados con suavidad en un recipiente con un poco de agua del acuario para eliminar cualquier recubrimiento de limo que se pueda acumular en el medio con el tiempo. Si se sustituye el medio Matrix™ es aconsejable sustituir no más de la mitad del medio de filtración cada vez, a fin de proteger el cultivo de bacterias que permite un ambiente del acuario estable. En este momento, sugerimos volver a sembrar el acuario con Stability™ de Seachem. Enjuague la canasta de los medios de filtración. Vuelva a montar los medios y todos los componentes en orden inverso.

Figura 9-A

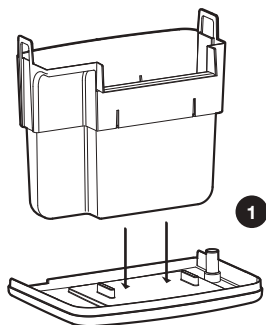
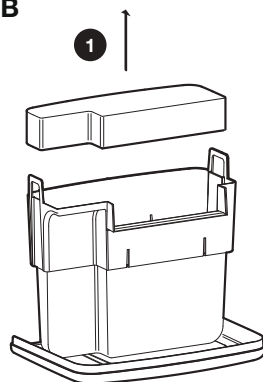


Figura 9-B



Si el filtro comienza a gotear desde el lado derecho (Fig 10) de la pared de retorno, indica que la cesta de medios de filtración está completamente obstruida. El agua en este caso está haciendo bypass sobre los medios de filtración y es necesaria una limpieza a fondo para mantener la salud general del acuario.

Figura 10

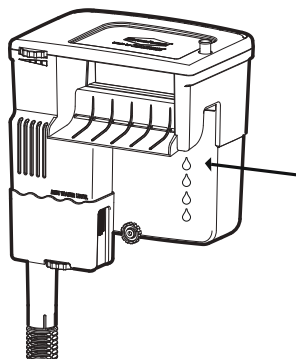
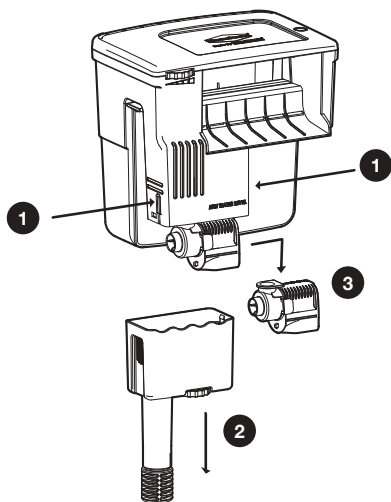
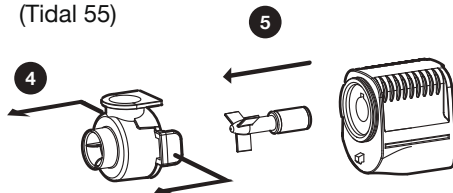


Figura 11-A



Para dar servicio a la bomba, proceda de la siguiente manera (Fig 11): Pulse el lateral del filtro (1), tire hacia abajo de la carcasa de la bomba (2), tire del cable de alimentación del cuerpo del filtro y empuje la bomba a la derecha hasta que haga clic y libérela (3). Para las unidades de Tidal 55, tire suavemente de la cubierta de entrada de la bomba (4, Fig 11-B). Esto mostrará el impulsor (5).

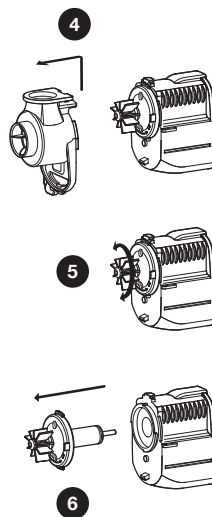
Figura 11-B
(Tidal 55)



MANTENIMIENTO

Para las unidades Tidal 75 y 110, tire hacia arriba y hacia atrás el clip superior de la tapa del impulsor (4, Figura 11-C). Gire la base del impulsor en sentido antihorario para desbloquearlo (5), y tire de ella de forma que quede libre de su alojamiento (6).

Figura 11-C
(Tidal 75 & 110)



Lave el impulsor a fondo para eliminar cualquier limo o incrustaciones acumuladas. No use jabón o detergente. Si se desea se puede utilizar una solución diluida de vinagre y agua para limpiar cualquier acumulación de sarro o cal.

Después de la limpieza, vuelva a colocar el impulsor asegurándose de que gira libremente alrededor del eje y coloque la tapa de aspiración de la bomba. Reensamble los componentes restantes en orden inverso. Las incrustaciones y los depósitos de cal y el desgaste natural de los componentes pueden causar que la naturaleza silenciosa de la bomba pueda disminuir. Sin embargo no afectan a una función apropiada del filtro. En tales casos, es aconsejable sustituir el impulsor para volver a una operación silenciosa.

CONSIGNES DE SÉCURITÉ IMPORTANTES

MISE EN GARDE : Afin de se protéger contre les blessures, des mesures de sécurité de base doivent être observées, y compris les suivantes.

LIRE ET OBSERVER TOUTES LES CONSIGNES DE SÉCURITÉ

DANGER - Pour éviter tout choc électrique, une grande prudence est de rigueur. Dans chacune des situations suivantes, ne pas essayer de réparer l'appareil soi-même; l'expédier au fabricant pour réparation ou le jeter.

1. **MISE EN GARDE:** Si la pompe à eau montre un quelconque signal de fuite d'eau anormale, la débrancher immédiatement de la prise de courant.
2. Examiner soigneusement l'appareil après l'installation. Il ne doit pas être branché s'il y a de l'eau sur les pièces qui ne doivent pas être mouillées.
3. Ne pas faire fonctionner un appareil défectueux, dont le cordon électrique ou la fiche sont endommagés, ou qui a été échappé ou abîmé d'une façon quelconque.
4. Afin d'éviter que l'appareil ou la prise de courant soient mouillés, installer le cabinet de aquarium et le bac à côté d'une prise de courant pour empêcher l'eau de dégoutter sur la prise. L'utilisateur devrait faire une boucle d'égouttement (fig. A DRIP LOOP) pour chaque cordon électrique branché d'un aquarium à une prise de courant. La boucle d'égouttement est la partie du cordon se trouvant sous le niveau de la prise de courant ou le raccord si une rallonge électrique est utilisée, afin d'empêcher que l'eau circule le long du cordon électrique et entre en contact avec la prise de courant. Si la fiche ou la prise de courant sont mouillées, NE PAS débrancher le cordon électrique : débrancher d'abord le fusible ou disjoncteur qui fournit l'électricité à l'appareil et débrancher ensuite l'appareil en vérifiant qu'il n'y a pas d'eau dans la prise.
5. Une surveillance étroite est requise lorsque l'appareil est utilisé par des enfants ou en leur présence.
6. Pour éviter les accidents, ne pas toucher les pièces en mouvement ou chaudes comme chauffages, réflecteurs, ampoules, etc.
7. Toujours débrancher l'appareil quand il n'est pas utilisé, quand des pièces doivent être enlevées ou remplacées et avant l'entretien. Ne jamais tirer par le fil pour débrancher l'appareil ; prendre la fiche et débrancher l'appareil.
8. Ne pas utiliser un appareil pour un emploi autre que celui pour lequel il a été fabriqué. Les pièces non vendues ou non recommandées par le fabricant pourraient compromettre la sécurité de l'appareil.
9. Ne pas exposer cet appareil aux intempéries ou à une température en dessous de 0 °C.
10. S'assurer qu'un appareil monté sur un aquarium soit bien installé avant de le faire fonctionner.
11. Lire et observer tous les avis importants sur l'appareil.
12. Si une rallonge électrique est nécessaire, s'assurer qu'elle soit de la bonne taille. Un cordon électrique de taille inférieur ou de moins d'ampères ou de watts que l'appareil peut surchauffer. Le cordon doit être placé de façon à éviter que quelqu'un trébuche ou le tire involontairement.
13. Cet appareil possède une fiche polarisée (une lame est plus large que les autres). Par mesure de sécurité, cette fiche s'insère dans la prise polarisée que dans un sens. Si la fiche n'entre pas complètement dans la prise, inverser la fiche. Si elle ne rentre toujours pas, contactez un électricien qualifié. Ne jamais utiliser une rallonge si la fiche peut être insérée complètement. Ne pas essayer de contourner ce dispositif de sécurité.
14. Cet appareil possède une fiche polarisée (une lame est plus large que les autres). Par mesure de sécurité, cette fiche s'insère dans la prise polarisée que dans un sens. Si la fiche n'entre pas complètement dans la prise, inverser la fiche. Si elle ne rentre toujours pas, contactez un électricien qualifié. Ne jamais utiliser une rallonge si la fiche peut être insérée complètement. Ne pas essayer de contourner ce dispositif de sécurité.

ATTENTION: La pompe doit être connectée à un circuit qui est protégé par un disjoncteur différentiel.

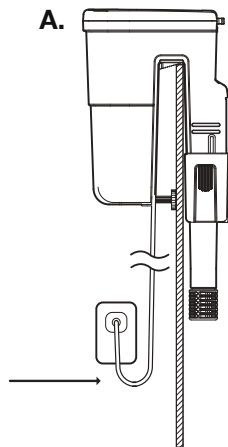
AVERTISSEMENT: Pour réduire le risque de choc électrique, produit à utiliser uniquement dans fontaines portables autonomes ne dépassant pas 5 pieds dans n'importe quelle dimension.

CONSERVER CES INSTRUCTIONS

Les FILTRES TIDAL sont conforme aux normes de sécurité nationales et internationales.

LEA Y SIGA TODAS LAS INSTRUCCIONES DE SEGURIDAD

1. Vérifier que la tension indiquée sur l'étiquette de transformateur corresponde bien à celle de votre réseau électrique. Cet appareil électrique doit être alimenté par l'intermédiaire d'un disjoncteur différentiel (dit de sécurité) avec un seuil de déclenchement inférieure ou égal à 30mA.
2. Pour éviter tout risque de dommage au moteur, la pompe ne doit jamais fonctionner sans eau.
3. Avant de connecter l'appareil électrique au réseau, vérifier que le câble d'alimentation ne soit pas endommagé.
4. La pompe est construite avec une liaison électrique de type «Z». Le câble et la prise ne peuvent être ni remplacés ni réparés. En cas de dommages du câble ou de la prise, il est nécessaire de remplacer toute la pompe.
5. Avant de connecter l'appareil électrique au réseau, vérifier que le câble d'alimentation ne soit pas endommagé.
6. Le filtre peut être utilisée dans des liquides ou des ambiances dont les températures ne dépassent pas 35° / 95 °F.
7. Ne pas utiliser l'appareil pour des applications différentes de celles pour lesquelles il à été conçu, comme par exemple un fonctionnement en salles de bain ou équivalent.
8. Eviter un fonctionnement du filtre avec des liquides corrosifs ou abrasifs.
9. Cet appareil n'a pas été conçu pour une utilisation par des personnes (y compris des enfants) ayant une capacité physique, sensorielle ou mentale réduite, sauf en cas de surveillance par une tierce personne responsable de leur sécurité. S'assurer que les enfants ne touchent pas cet appareil.
10. Pour éviter que des gouttes d'eau coulent le long du câble électrique et mouillent la fiche de courant ou la prise murale, nous conseillons d'effectuer une boucle du câble en-dessous du niveau de la prise de courant (Fig. A).
11. Ne pas tirer la pompe par le câble d'alimentation pour la déplacer ou la retirer de l'eau pendant l'installation ou l'entretien.
12. Le filtre ne peut être utilisée que pour les applications ci-dessus; si doté de câble bipolaire elle est destinée au fonctionnement en intérieur.



INSTRUCTIONS POUR LA DÉCHARGE CORRECTE DU PRODUIT SELON LA DIRECTIVE EU 2002/96/EC

Cet appareil ne doit pas être jeté dans les poubelles domestiques mais doit suivre les procédures d'élimination prévues pour les déchets électriques. Il peut être pris à un centre spécial de collecte des déchets spéciaux, mis en place par les autorités locales ou à un revendeur offrant ce service. La décharge séparément d'un outil électrique évite des conséquences négatives pour l'environnement et pour la santé et permet de régénérer les matériaux pour avoir une grande économie d'énergie et des ressources.

LIMITATIONS DE GARANTIE

Seachem garantit ce produit (voir Exclusions ci-dessous) à l'acheteur initial contre les défauts de matériaux et de fabrication pour une période de trois (3) ans à compter de la date de l'achat originale, et peut être prolongée pour une période de deux (2) ans supplémentaires avec l'enregistrement du produit à www.seachem.com; sauf le rotor de la pompe, qui est garanti pour une période de six (6) mois. Cette garantie est limitée à la réparation ou le remplacement (à la discrétion de Seachem) du produit défectueux et ne couvre pas la perte de poissons, blessures aux personnes, perte de biens, ou les dommages résultant de l'utilisation du produit. Il est nécessaire de conserver une preuve d'achat originale pour valider la garantie. Toute garantie est à considérer en même temps, et non en plus, des périodes de garantie minimales établies par la loi applicable.

Toutes réclamations de garantie doivent être déposées en ligne à www.seachem.com par l'acheteur original, qui doit fournir une preuve d'achat au moment de la réclamation. Le demandeur doit obtenir une «Autorisation de retour de marchandise» au moment de la réclamation avant d'envoyer tout produit pour la garantie ou le service technique. L'acheteur assume le coût d'expédition vers et depuis le centre de service ou d'une station de réparation.

EXCLUSIONS. Cette garantie ne couvre pas ce qui suit: * Les dommages résultant d'un accident, une mauvaise utilisation, un manque de diligence raisonnable, une utilisation du produit ne pas normal ou ordinaire, une utilisation du produit dans des conditions de travail anormales ou d'autres défaillances ne pas résultant de défauts de matériaux ou de fabrication. * Les dommages résultant d'une modification, altération ou tentative de réparation par une personne autre que Seachem ou son représentant. * Transfert du produit à une personne autre que l'acheteur original. * Utiliser le produit avec des paramètres électriques différents de ceux spécifiés dans l'emballage; l'acheteur originale est responsable de la fourniture d'électricité adéquate.

EXCLUSION DE DOMMAGES ET LIMITATION DE GARANTIE IMPLICITE

Votre seul et unique recours est la réparation du produit ou de remplacement tel que prévu dans cette Garantie Limitée. La Société décline toute responsabilité pour les dommages accessoires et indirects pour violation de toute garantie ou condition expresse ou implicite, y compris les garanties implicites ou conditions de qualité marchande, d'adéquation à un usage particulier ou de qualité satisfaisante par rapport à ce produit. Cette écriture constitue l'intégralité de l'accord de garantie des parties relativement à l'objet des présentes, aucune renonciation ou amendement ne sera valable que si par écrit et signée par Seachem. Toute garantie implicite ici sont limitées à un an ou la période la plus courte autorisée par la loi de votre juridiction.

INTRODUCTION

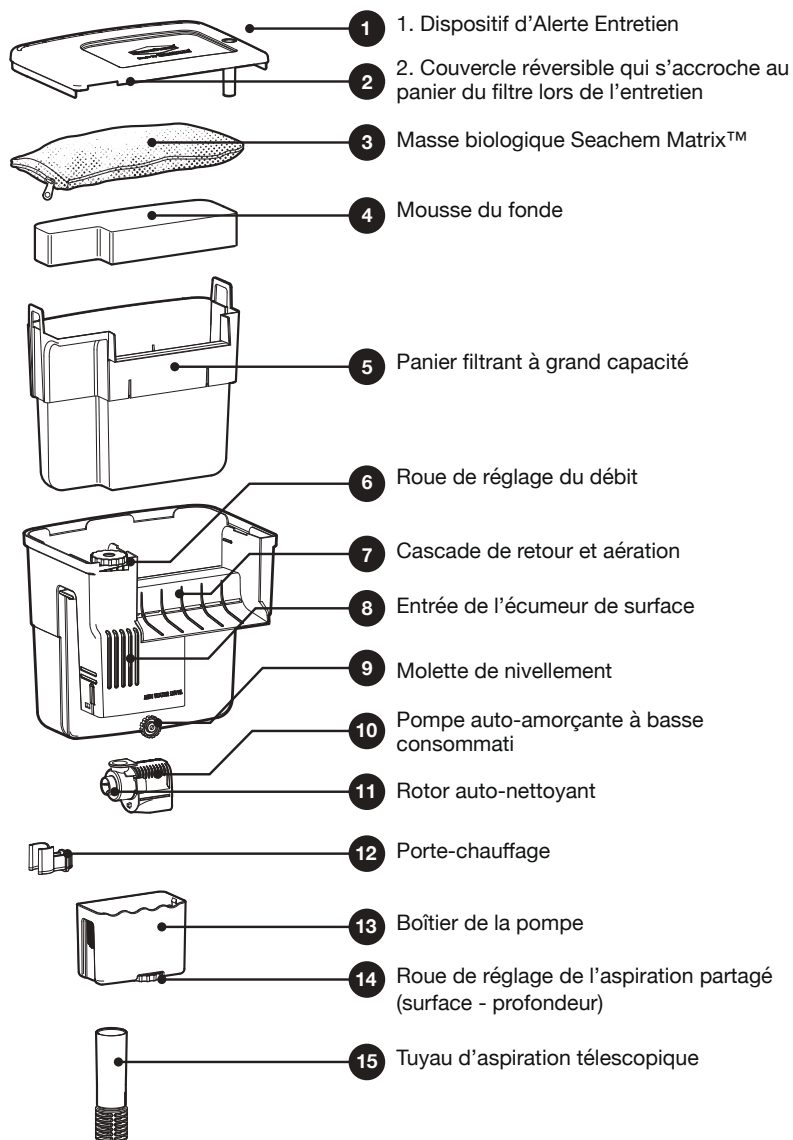
Congratulation pour l'achat de votre nouveau filtre cascade Seachem Tidal™. Vous pouvez être absolument sûr que vous avez investi dans un filtre haut de gamme, bien conçu, qui va garder votre aquarium propre et sain avec un entretien minimal pour les années à venir. La gamme de filtres Seachem Tidal™ a été conçu et fabriqué en Italie spécifiquement pour Seachem par Sicce, pour assurer la meilleure qualité et les meilleures performances possibles.

Caractéristiques

1. Le wattage réduit avec un haute débit permet des économies d'énergie, tout avec une excellente circulation de l'eau
2. Fonctionnement silencieux, même pour la maison ou le bureau le plus silencieux.
3. Pompe auto-amorçante qui permet un démarrage simple et fiable.
4. Basse nécessité d'entretien pour la facilité de tenue de l'aquarium à long terme.
5. Rotor auto-nettoyant qui réduise le besoin d'entretien de la pompe.
6. Les parties non-corrosives permettent l'utilisation en eau douce ou eau de mer
7. Panier de capacité exceptionnelle, permettant d'utiliser pratiquement toute masse de filtration
8. Masse biologique Seachem Matrix™ inclue: élimine complètement l'ammoniac, les nitrites et les nitrates
9. Panier de filtre amovible pour un facile déplacement pour le nettoyage.
10. Le couvercle du filtre devient un plateau pour sécuriser le panier filtrant et éviter toute chute d'eau pendant le déplacement pour le nettoyage.
11. Les fentes d'aération permettent le flux d'air et un échange gazeux amélioré.
12. Profil compact pour réduire les interférences avec le placement de l'aquarium.
13. La molette de nivellement permet un positionnement correct sur le verre de l'aquarium.
14. L'écumage de surface retire les particules organiques flottantes et l'écume de la surface de l'aquarium.
15. Le débit réglable permet l'utilisation dans plusieurs typologies d'aquarium.
16. Aspiration de surface réglable par rapport à l'aspiration en profondeur, qui permet de concentrer la filtration dans la zone souhaité.
17. Aspiration télescopique qui permet d'atteindre à toute profondeur.
18. Pince porte-chauffage qui permet une distribution uniforme de la chaleur grâce au flux du filtre.
19. La cascade du flux de retour augmente le redox et l'aération de l'aquarium.
20. Le dispositif d'Alerte Entretien montre quand il est nécessaire de nettoyer le panier.

Simplificando, você comprou o melhor filtro externo disponível. Obrigado.

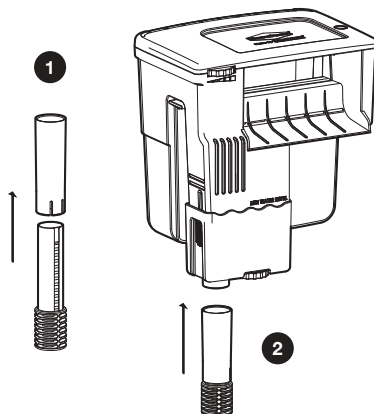
LISTE DES PIÈCES



MONTAGE ET DÉMARRAGE

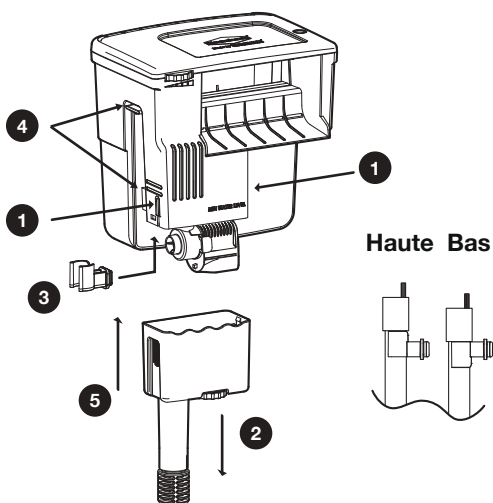
Insérez la moitié inférieure du tube d'aspiration dans la moitié supérieure. Insérez le tube d'aspiration télescopique en place sur le boîtier de la pompe. (Fig. 1)

Figure 1



Si l'on souhaite accrocher un chauffage sur le filtre (Fig. 2), appuyer sur les côtés du filtre (1), tirer vers le bas pour retirer le couvercle du boîtier de la pompe (2), insérer le support du chauffage jusqu'au fond du boîtier (3). Le support du chauffage peut être inséré vers le haut ou vers le bas en fonction de la position souhaitée de l'élément chauffant et de sa longueur. Insérer le câble de la pompe dans les guides (4) avant de remonter le boîtier de la pompe (5).

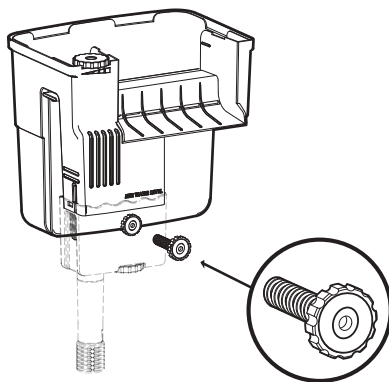
Figure 2



MONTAGE ET DÉMARRAGE

Visser la molette de mise à niveau du filtre dans la partie inférieure du boîtier du filtre pour se préparer à l'accrocher et niveler. (Fig. 3)

Figure 3



Placer le filtre sur le bord de l'aquarium (Fig. 4-A) et régler la molette de nivellement par vissage et dévissage jusqu'à ce que le filtre soit parfaitement vertical.

Insérez le câble de la pompe dans les guides comme indiqué (Fig. 4-B) et passer le câble jusqu'à la sortie en payant attention à former une boucle d'égouttement comme indiqué dans les consignes de sécurité et sur la Fig. 4-B.

Figure 4-A

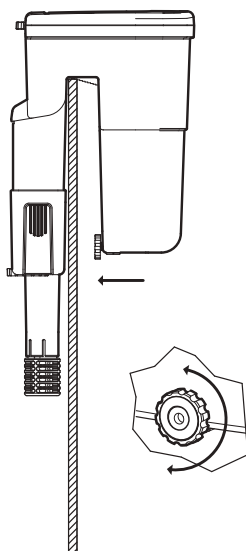
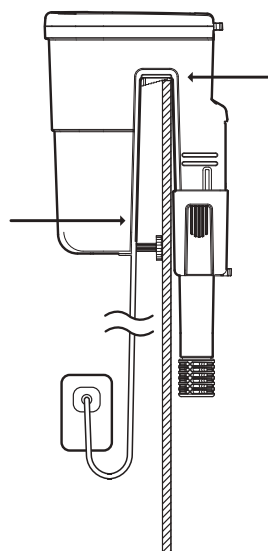


Figure 4-B



REEMPLIR LE PANIER FILTRANT

Retirer tous les sacs en plastique contenant les masses de filtration avant le démarrage du filtre. Tous les filtres Tidal™ ont été conçus pour contenir tout type de média filtrant. En général, il existe trois types de filtration utilisés dans la plupart des aquariums - mécanique, chimique et biologique.

La filtration mécanique inclut les médias qui capturent les déchets pour leur élimination directement par filtre. La filtration chimique comprend des milieux de filtration députés à l'élimination chimique des composés dissous dans l'eau. La filtration biologique fournit un logement de développement pour les bactéries et la décomposition des déchets organiques.

Tous les filtres Tidal™ incluent une éponge filtrant de fond pour la filtration mécanique et Matrix™ masse biologique pour une filtration exceptionnelle. Il existe une variété d'options de filtration chimique disponibles pour des nombreuses applications différentes, compte tenu de la variété d'environnements d'aquarium. MatrixCarbon™ de Seachem est une option privilégiée dans presque toute configuration d'aquarium. MatrixCarbon™ est disponible en sachet pour toute taille de Filtre Tidal™.

Rincer soigneusement l'éponge et tous les masses de filtration sous l'eau courante avant de les placer dans le panier du filtre. Coucher les médias avec la mousse du fond en bas, puis tous les médias de filtration chimique tels que MatrixCarbon™ et enfin la masse biologique Matrix™. Ne pas retirer Matrix™ de son sac en filet. Le sac en filet est emballé repliée; poser-le dans le sens de la longueur et distribuer uniformément Matrix™ avant de le placer dans le panier du filtre. Afin de propager plus rapidement les bactéries dans Matrix™, nous recommandons l'ajout de Seachem Stability™ à votre aquarium. Le panier interne empêche le contournement de l'eau et permet un retrait rapide et le nettoyage de la mousse du fond et tout autre média Utilisés. Pour éviter toute interférence avec un bon débit de filtration, ne surchargez pas le panier de médias filtrants. Une indication de cette surcharge sera l'activation de l'Alerte Entretien dans la côté droit de la paroi de retour (Fig. 10, page 38).

Fig. 5: Disposition des Masses de Filtration (de bas en haut)



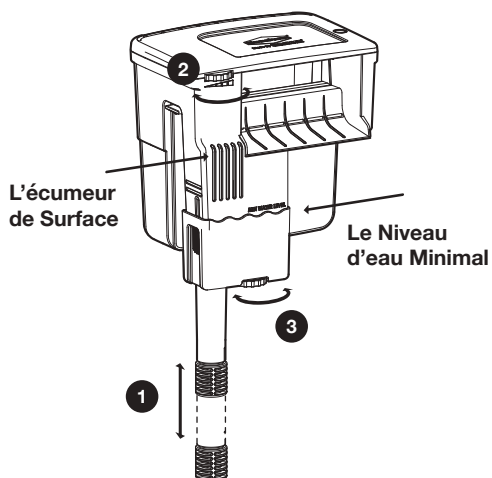
DEMARRER LE FILTRE

Après l'assemblage et l'installation du filtre Tidal™ sur l'aquarium, brancher le câble d'alimentation à la prise prévue. Le filtre est auto-amorçage et il commencera immédiatement à filtrer l'eau. Régler les trois paramètres possibles en fonction des préférences ou des besoins (Fig. 6):

1. Monter ou baisser l'aspiration télescopique à la profondeur désirée dans l'aquarium.
2. Régler le débit à travers le filtre. Régler la performance selon le volume spécifique de l'aquarium, la typologie, ou la spécifique préférence de brassage et oxygénation des poissons. Cette fonctionnalité offre une réduction du débit maximal jusqu'au 80%, tout en faisant plein utilisation du moteur de filtre. Lorsque des débits d'aspiration réduits sont sélectionnés, la grille de préfiltration permet la récirculation de l'eau à travers les médias de filtration pour un temps de contact plus long pour optimiser les performances de filtration.
3. Régler la quantité d'aspiration par la surface par rapport à l'aspiration en profondeur.

Le niveau d'eau minimal dans l'aquarium ne devrait pas baisser en dessous de l'inscription «Minimum Water Level»; un niveau inférieur pourrait arrêter l'écoulement de l'eau et causer des dommages à la pompe - ne pas faire fonctionner la pompe à sec. Il n'y a pas de niveau d'eau maximal, mais il est recommandé que le niveau ne dépasse pas la hauteur des fentes de l'écumeur de surface.

Figure 6



ATTENTION: Avant toute opération de maintenance sur le Filtre Tidal™, débrancher-le de la prise de courant.

Les Filtres Tidal™ sont faits pour offrir une excellente filtration avec très peu d'entretien. Cependant, un entretien régulier aide considérablement la santé et le bien-être de votre aquarium. Le dispositif d'Alerte Entretien offre un excellent signal pour ne pas oublier d'effectuer la maintenance de routine sur le filtre Tidal™. Le dispositif d'Alerte Entretien indique que le débit est incapable de se déplacer suffisamment à travers le panier de filtration.

Lorsque l'Alerte Entretien sort d'environ 1 cm au-dessus du couvercle du filtre (Fig. 7), il est temps de nettoyer le filtre.

Pour commencer le nettoyage du filtre, (Fig. 8) soulever le couvercle (1), faire glisser la partie bleu de blocage du panier (2) à l'avant du filtre et retirer le panier de filtration en soulevant les deux poignées latérales (3).

Figure 7

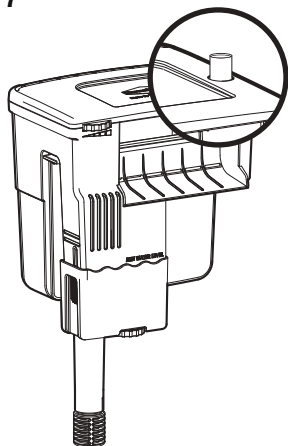
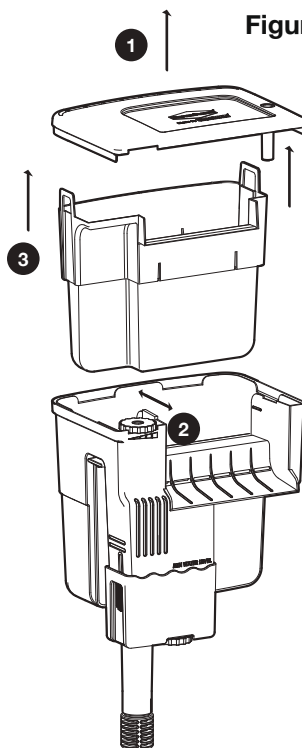


Figure 8



Tourner le couvercle à l'invers (Fig. 9-A) et fixer le panier de filtration dans les fentes du couvercle (1). Il est maintenant possible de porter le panier de filtration dans la place de nettoyage sans que de gouttes d'eau coulent sur le plancher.

Retirer le sac de la masse biologique Matrix™, tous les médias de filtration chimique et la mousse du fond. (Fig. 9-B)

Rincer soigneusement la mousse du fond. Ne pas utiliser de savon ou de détergents, car ils peuvent nuire aux habitants de l'aquarium. Rincer ou remplacer tous les médias de filtration chimique si nécessaire: packs de masses de remplacement conçus spécifiquement pour les Filtres Tidal™ (Matrix™, MatrixCarbon™ et Zeolite) sont vendus séparément.

Le sac de masse biologique Matrix™ contient des bactéries importantes pour la stabilité de l'environnement de l'aquarium. Ne pas laisser que les médias sèchent. Les médias peuvent être rincés doucement dans un récipient avec une partie d'eau de l'aquarium pour éliminer toute couche visqueuse qui peut construire sur les médias au fil du temps.

Si la masse Matrix™ est remplacée, il est recommandé de ne pas remplacer plus de la moitié des supports au même moment, de manière à protéger la culture de bactéries qui permet un environnement d'aquarium stable. À ce moment-là, nous suggérons le réensemencement de l'aquarium avec Seachem Stability™. Rincer le panier des médias filtrants. Remonter les médias et tous les composants dans l'ordre inverse."

Figure 9-A

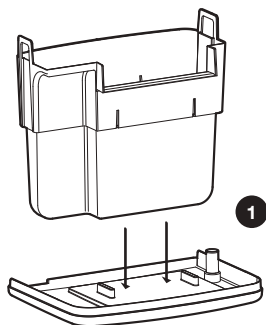
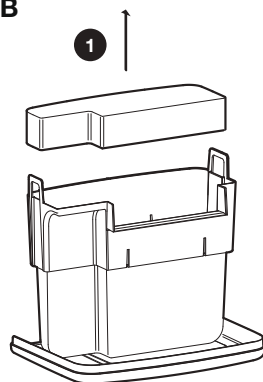


Figure 9-B



Si le filtre commence à couler du côté droit (Fig. 10) de la cascade de retour, ça signifie que le panier de média filtrant est complètement colmaté. L'eau dans ce cas contourne les masses de filtration et un nettoyage soigneux est nécessaire pour maintenir la santé globale de l'aquarium.

Figure 10

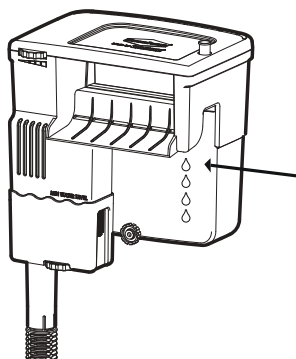
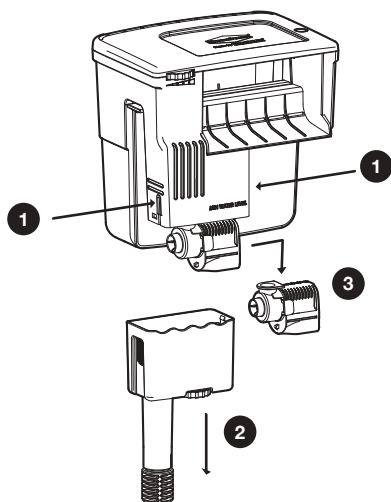
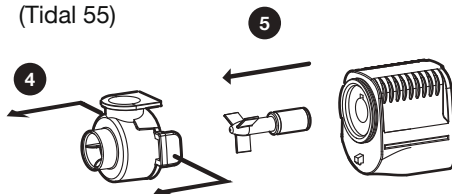


Figure 11-A



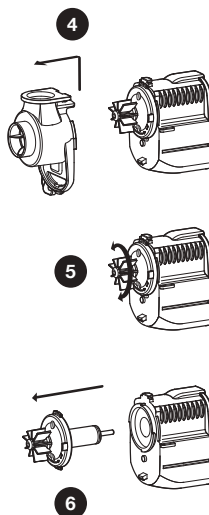
Pour entretenir la pompe, procéder comme suit (Fig. 11): appuyer sur le côté du filtre (1), tirer vers le bas le boîtier de la pompe (2), retirer le câble d'alimentation du corps de filtre et pousser la pompe vers la droite jusqu'à ce qu'elle clics et les rejets (3). Pour le modèle Tidal 55, tirer doucement sur le couvercle d'aspiration de la pompe jusqu'à le retirer (4, Fig 11-B). Cela révélera le rotor (5).

Figure 11-B
(Tidal 55)



Pour les modèles Tidal 75 et 110, tirer vers le haut et à l'arrière sur le clip en dessus du couvercle du rotor (4, Fig. 11-C). Tourner la base du rotor dans le sens antihoraire pour le déverrouiller (5), puis retirer-le de son boîtier (6).

Figure 11-C
(Tidal 75 & 110)



Laver la turbine soigneusement pour enlever toutes boues ou incrustations accumulées. Ne pas utiliser de savon ou de détergent. Si l'on désire, une solution diluée de vinaigre et d'eau peut être utilisée pour enlever toute saleté incrustée.

Après le nettoyage, réinsérer le rotor en s'assurant qu'il tourne librement autour de l'arbre et appliquer le couvercle d'aspiration de la pompe. Remonter les composants restants dans l'ordre inverse. Saleté, dépôts de calcaire et la naturelle usure des composants pourraient causer l'apparition de bruit de la pompe. Cependant, ils n'affectent pas le bon fonctionnement du filtre. Dans de tels cas, il est conseillé de remplacer le rotor pour revenir au fonctionnement silencieux.

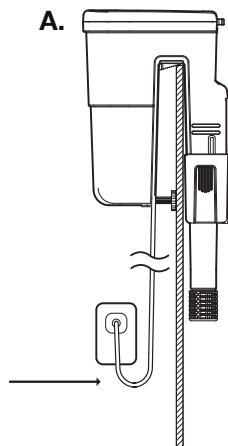
IMPORTANTES INSTRUÇÕES DE SEGURANÇA

Advertência: Para se evitar lesões, precauções básicas de segurança devem ser observadas, incluindo as seguintes orientações de segurança:

Os Filtros Tidal são fabricados dentro das conformidades de legislações sobre segurança nacionais e internacionais

LEIA E SIGA TODAS AS INSTRUÇÕES DE SEGURANÇA

1. Verifique se a tensão elétrica do rótulo da bomba corresponde com a da rede de energia. A bomba deve ser provida de um interruptor diferencial (protetor) através do qual a corrente nominal seja igual ou inferior a 30mA.
2. A bomba não pode funcionar sem água para não danificar o motor.
3. Antes de ligar a bomba à rede elétrica, verifique se o cabo elétrico ou a bomba não estão danificados.
4. A bomba tem uma ligação de cabo tipo Z. O cabo e/ou o plugue não podem ser substituídos ou consertados; em caso de danos, substitua a bomba inteira.
5. CUIDADO: desligue todos os equipamentos elétricos submersos antes de fazer manutenção na água; no caso do plug ou parte elétrica danificados, desligue o disjuntor antes de desligar o plug da tomada.
6. O filtro pode ser usada em líquidos ou ambientes com temperaturas máxima de 35°C / 95 °F.
7. Não use o filtro para diferentes finalidades, daquelas para as quais ela foi projetado (como por exemplo, em banheiros ou aplicações semelhantes)
8. Não utilize o filtro em líquidos abrasivos ou corrosivos.
9. O filtro não foi projetado para ser utilizado por crianças ou pessoas com problemas mentais. A supervisão de um adulto adequado ou pessoas responsável pela segurança é necessário.
10. Para evitar que a água molhe acidentalmente o plugue ou a tomada elétrica, faça um laço no cabo abaixo do nível tomada elétrica (foto A)
11. Não desligue o filtro puxando o cabo da tomada durante a instalação ou manutenção.
12. O filtro só pode ser utilizado nas aplicações acima mencionadas e é apenas para uso interno.



NAO PERCA ESSAS INSTRUÇÕES

INSTRUÇÕES DE ELIMINAÇÃO CORRETA DO PRODUTO NOS TERMOS DA DIRETIVA DA UE (UNIAO EUROPEIA) 2002/96/EC

Quando usado ou quebrado, este produto não deve ser eliminado juntamente com outros resíduos. Pode ser entregue aos centros de recolha de resíduos de equipamentos elétricos específicos ou aos revendedores que fornecem este serviço. A eliminação de produtos elétricos evita consequências negativas para o ambiente e para a saúde pública em geral e permite a reutilização de materiais, poupando energia e recursos.

GARANTIA LIMITADA

As Seachem da garantia ao comprador original deste produto contra defeitos materiais e mão de obra por um período de três (3) anos a partir da data da compra original, e pode ser prorrogado por mais dois (2) anos, com o registro do produto em www.seachem.com; todos os termos exceto pra o impeller da bomba, o que é garantido por um período de seis (6) meses. Esta garantia é limitada a reparação ou substituição (a critério da Seachem) do produto defeituoso e faz não cobrir a perda de vida do aquário, danos pessoais, perda de propriedade ou dano decorrente da utilização do produto. Você deve guardar o recibo original de compra para validar a garantia, qualquer garantia aqui deve ser executada simultaneamente com, e não além, de qualquer período mínimo de garantia estabelecida pela legislação aplicável.

Reivindicações feitas sob a garantia deverá ser arquivadas “on-line” em www.seachem.com pelo comprador original e quem deverá fornecer a prova da compra no momento do registro. O requerente deve obter uma “Autorização de Retorno de Mercadorias” no momento do registro antes de enviar qualquer produto para a garantia ou assistência técnica. O custo do transporte para o centro de serviços, ou centro de reparação, tem que ser pago pelo comprador.

EXCLUSÕES: Esta garantia não cobre o seguinte: * Os danos resultantes de acidentes, uso indevido, abuso, falta de cuidado razoável, o uso de produtos que são diferentes do normal ou comum, usado em projetos de condições anormais de trabalho ou quaisquer outras falhas não resultante de defeitos em materiais ou mão-de-obra. *Danos resultantes de modificações, alterações ou tentativas de reparo por alguém que não seja da Seachem ou um de seus representantes. * A transferência do produto para alguém que não seja o comprador original. * Submeter o produto a serviços elétricos não especificados na embalagem; o comprador original é responsável pelo fornecimento de instalações elétricas adequadas.

EXCLUSÃO DE DANOS E LIMITAÇÃO DE GARANTIA IMPLÍCITA

Sua única e exclusiva solução é a reparação ou substituição, como previsto nesta garantia limitada do produto. A empresa se exime de qualquer responsabilidade por danos acidentais ou consequentes da quebra de qualquer garantia ou condições expressas ou implícitas, incluindo as garantias implícitas ou condições de comercialização, de qualquer comercializável, adequação de um propósito particular, ou de qualidade satisfatória, em relação a este produto. Esta escrita constitui o acordo de garantia das partes com relação ao assunto aqui tratado, nenhuma renúncia ou alteração será válida a menos por escrito assinado pela Seachem. Quaisquer garantias implícitas aqui são limitados a um ano ou menor período permitido pela lei de sua jurisdição

INTRODUÇÃO

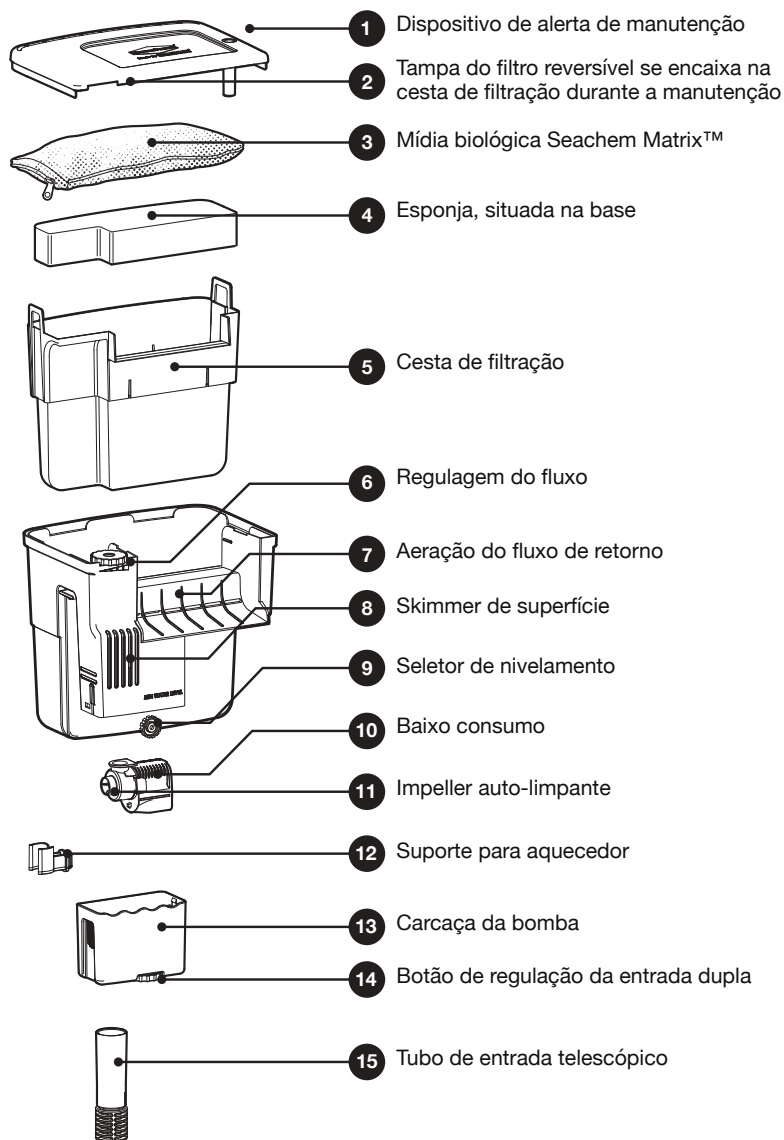
Parabéns pela aquisição do seu novo filtro externo Seachem Tidal™. Pode ficar completamente seguro de que você investiu em um filtro com alta tecnologia que irá manter seu aquário limpo e saudável com o mínimo de manutenção pelos próximos anos. A gama Seachem Tidal™ de filtros foi desenvolvida especificamente para Seachem por Sicce na Itália para garantir a mais alta qualidade e alto desempenho possível.

Características

1. Baixo consumo em relação ao grande fluxo de água permite economia de energia com excelente circulação
2. Funcionamento silencioso, mesmo para os mais silenciosos ambientes da casa ou do escritório
3. A bomba permite arranque fácil e confiável
4. Baixa manutenção para a facilidade e cuidado do aquário em longo prazo
5. Impeller auto limpante reduzindo necessidade de manutenção da bomba
6. Partes e peças não corrosivas, permite o uso em aquários de água doce ou salgada
7. Alta capacidade da cesta de filtração permite a utilização de praticamente todas as mídias filtrantes
8. Inclui Seachem Matrix™ que remove completamente amônia, nitrito e nitrato
9. A cesta de filtração removível permite fácil limpeza
10. A tampa do filtro funciona como uma bandeja segura para cesta de filtração, evitando derramamento de água durante a limpeza remota
11. Frestas de ventilação permitem reforçar o fluxo de ar e as trocas gasosas
12. Perfil comprimido reduz a interferência na fixação do aquário
13. O sistema de nivelamento permite o posicionamento exato na parede do aquário
14. Skimmer de superfície filtra orgânicos e espuma da superfície da água do aquário
15. Fluxo ajustável permite utilização versátil em uma variedade de aquários
16. Captação de água ajustável pela superfície vs. profundidade permite o foco em áreas específicas a ser filtrada
17. Tudo de captação telescópico permite regular em qualquer profundidade
18. O suporte para aquecedor permite a dispersão segura do calor através do fluxo de água do filtro
19. O retorno de água pela parede transversa oferece fendas de aeração para aumentar redox e aeração do aquário
20. O monitor de manutenção mostra quando o filtro precisa de limpo

Simplificando, você comprou o melhor filtro externo disponível. Obrigado.

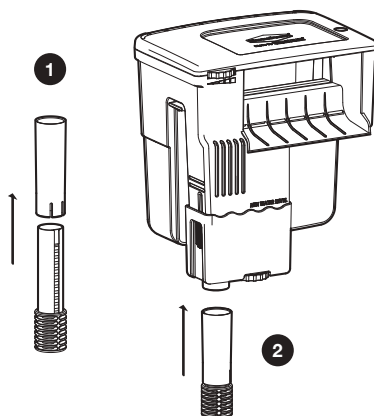
VERIFICAÇÃO DE PEÇAS



MONTAGEM E INICIO DE FUNCIONAMENTO

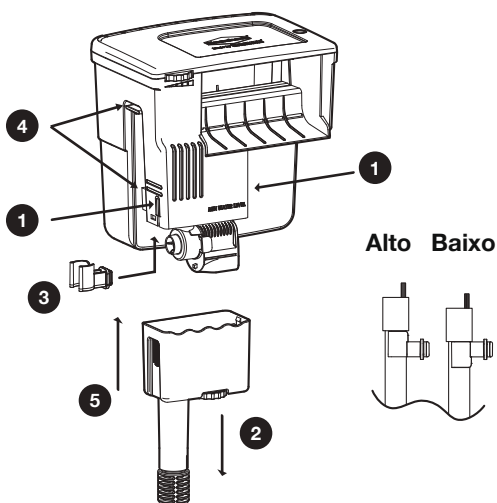
Insira metade inferior do tubo de entrada na metade superior. Insira o tubo de entrada telescópica na entrada bomba (Fig 1).

Figura 1



Se pretender colocar um aquecedor no filtro (Fig. 2), pressione os lados do filtro (1), puxe para baixo para remover a tampa da caixa da bomba (2), deslize no suporte de aquecedor para o fundo do alojamento (3). O suporte de aquecedor pode ser inserido na face voltada para cima ou para baixo dependendo da posição desejada para o aquecedor. Insira o cabo da bomba nas guias (4) antes de recolocar a câmara da bomba (5).

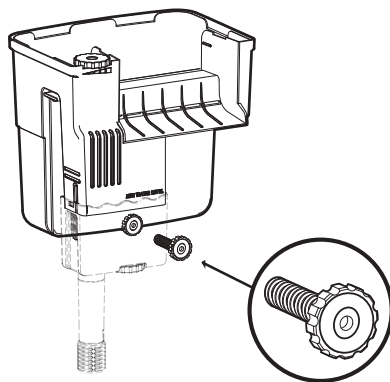
Figura 2



MONTAGEM E INICIO DE FUNCIONAMENTO

Encaixe o mostrador de nivelamento do filtro na parte inferior da caixa do filtro para se preparar para encaixar e nivelar o filtro. (Fig.3)

Figura 3



Colocar o filtro na borda do aquário (Fig. 4-A) e ajustar o disco de nivelamento, parafusando ou desparafusando até que o filtro esteja nivelado com o aquário .

Insira o cabo da bomba nas guias, conforme mostrado (Fig. 4-B) e ligar o cabo à tomada certificando-se de formar uma malha de gotejamento, como mostrado nas instruções de segurança e na Figura 4-B .

Figura 4-A

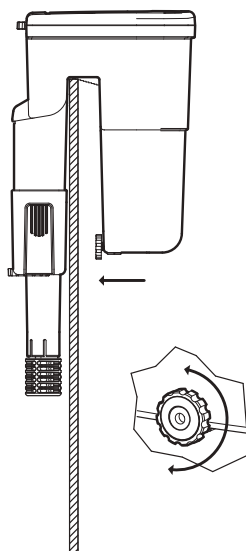
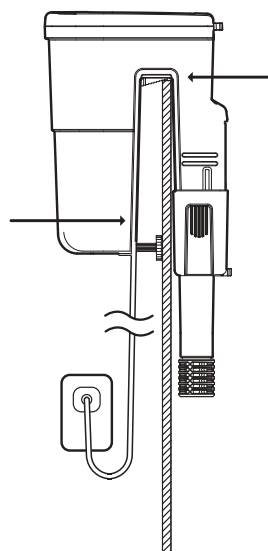


Figura 4-B



ENCHER O CESTO DE FILTRAÇÃO COM AS MÍDIAS

Remover todos os sacos de plástico das mídias antes de se iniciar o filtro. Todos os filtros Tidal™ foram desenvolvidos para conter qualquer tipo de mídia filtrante. Em geral, existem três tipos de filtração usadas na maioria dos aquários - mecânica, química e biológica.

A filtração mecânica inclui mídia de remoção que capturam os resíduos diretamente no filtro. A filtração química inclui mídias de filtração, que trabalham para remover quimicamente compostos dissolvidos na água. A filtração biológica proporciona a habitação para que as bactérias cresçam e quebrem resíduos orgânicos.

Todos os filtros Tidal™ incluem uma esponja para filtração mecânica e mídia biológica Seachem Matrix™ para filtração biológica. Há uma variedade de opções de filtração química disponíveis para muitas finalidades diferentes, dadas uma variedade de ambientes de aquários. O Seachem MatrixCarbon™ é a opção preferida em quase todos os aquários. MatrixCarbon™ está disponível pré-ensacado para qualquer tamanho dos filtros Tidal™.

Enxaguar a esponja e todas as mídias do filtro sob água corrente antes de colocá-las no cesto do filtro. Colocar a camada da mídia com a esponja no fundo do filtro, então colocar as mídias de filtração química, tais como MatrixCarbon™ e por último a mídia biológica Matrix™. Não remova Matrix™ da sua bolsa de malha; coloque-o no sentido de comprimento e distribua Matrix™ uniformemente antes de colocá-lo na cesta de filtração. A fim de aumentar mais rapidamente as bactérias no Matrix™, recomendamos a adição de Seachem Stability™ para o seu aquário.

A cesta interna impede o desvio de água e permite a rápida remoção e limpeza da esponja do filtro e quaisquer mídias de filtração utilizadas. Para evitar a interferência do fluxo de água adequado do filtro, não sobrecarregar o cesto de mídias filtrantes. Uma indicação disso será a ativação do alerta de manutenção ou se começar a pingar do lado direito da parede do fluxo de retorno (Fig 10, página 51).

Figura 5: Camadas das mídias filtrantes (de baixo para cima)



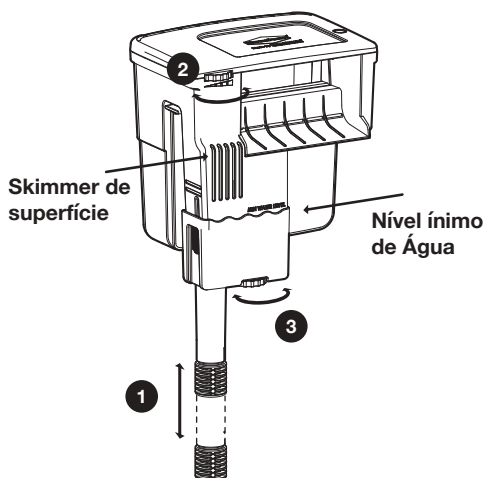
INICIANDO O FILTRO

Após a instalação do filtro Tidal™, iniciar a montagem em um aquário cheio de água e conectar o cabo de alimentação elétrica na tomada. O filtro começará imediatamente a filtragem da água. Ajustar as três configurações possíveis de acordo com as preferências ou necessidades (Fig. 6).

1. Aumentar ou diminuir a entrada telescópica para a profundidade desejada no aquário.
2. Ajustar a quantidade total de fluxo através do filtro. Ajuste o desempenho para um volume específico de aquário, de forma a proporcionar o ambiente correto para os peixes que preferem mais ou menos o movimento da água ou oxigenação. Este recurso oferece uma redução de até 80% do consumo máximo de fluxo ao fazer pleno uso contínuo do motor do filtro. Quando os fluxos de entrada reduzidos são selecionados, a grade de refiltração permite que a água recircule através das mídias filtrantes para maximizar o desempenho de filtração através de um maior tempo de contato.
3. Ajustar a quantidade de entrada de fluxo a partir da superfície telescópica.

O nível mínimo de água no aquário não deve cair abaixo da marca “ nível de água mínimo “. Um nível mais baixo pode interromper o fluxo de água e causar danos na bomba - não permitir que a bomba funcione a seco. Não existe um nível máximo de água embora seja recomendável que o nível não exceda a altura das ranhuras do skimmer de superfície.

Figura 6



ATENÇÃO: Antes de qualquer manutenção no filtro Tidal™, desligue-o da tomada.

Os filtros Tidal™ são feitos para oferecer excelente função com baixa manutenção. No entanto, a manutenção regular pode ajudar muito na saúde geral e bem-estar de seu aquário. O dispositivo de alerta de manutenção oferece um excelente sinal para realizar a manutenção de rotina no filtro Tidal™. O dispositivo de alerta de manutenção indica que o fluxo não é capaz de mover-se livremente através da cesta

de meios filtrantes. Quando o alerta de manutenção se eleva acima da tampa do filtro de cerca de ½ "ou 1 cm (Fig. 7), é hora de limpar o filtro.

Para começar a limpeza do filtro, (Fig. 8) levantar a tampa (1), deslizar o bloqueio azul cesta de filtro à frente do filtro (2) e remover o cesto de mídias do filtro, puxando para cima sobre as duas alças laterais (3)

Figura 7

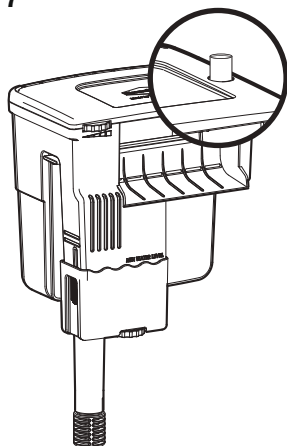
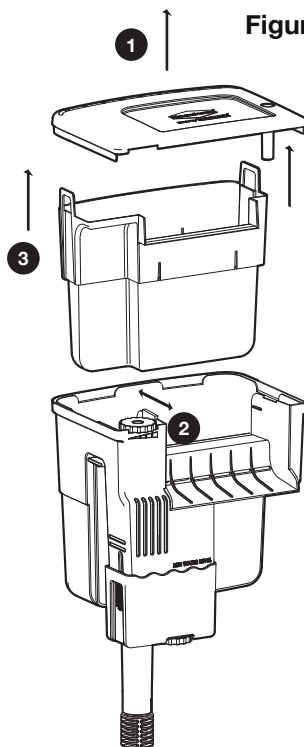


Figura 8



MANUTENÇÃO

Vire a tampa (Fig. 9-A) e encaixe a cesta do filtro de mídia nas guias da tampa (1). Agora você pode levar a cesta de mídias do filtro para uma área de limpeza sem derramar ou pingar de água.

Retire a embalagem de Matrix™ mídia de filtração biológica, todos as mídias de filtração química e a esponja de filtração mecânica da parte inferior do filtro. (Fig. 9-B)

Lave a esponja da parte inferior do filtro completamente. Não use nenhum sabão ou detergente, pois podem prejudicar os habitantes do aquário. Lavar ou substituir quaisquer meios de filtração química, se necessário. Mídias de filtração projetadas especificamente podem ser substituídas para as unidades de filtro Tidal™ (Matrix™, MatrixCarbon™ e zeolite) são vendidos separadamente.

A bolsa de Matrix™ mídia de filtração biológica, contém bactérias importantes para a estabilidade do ambiente do aquário. Não permita que a mídia fique seca. As mídias podem ser enxaguadas suavemente em um recipiente com alguma da água do aquário para remover qualquer revestimento de lodo que podem acumular-se nos meios ao longo do tempo. Se a mídia Matrix™ for substituída, é aconselhável substituir não mais do que a metade de cada mídia de filtração a cada vez, de modo a preservar a cultura de bactérias que permitem um ambiente estável do aquário. Nesse momento sugerimos o uso novamente de Seachem Stability™. Lave a cesta de filtração. Remonte a cesta e todas as mídias na ordem inversa.

Figura 9-A

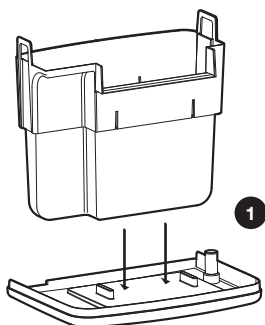
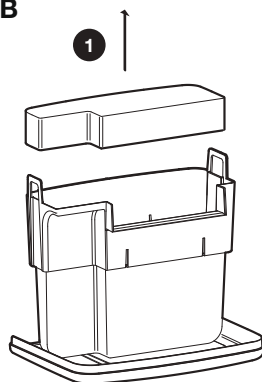


Figura 9-B



MANUTENÇÃO

Se o filtro começar a pingar a partir do lado direito (Fig. 10) da parede de fluxo de retorno, indica que o cesto de mídias filtrantes está completamente obstruído. Água, neste caso, não está passando pelas mídias de forma correta e uma limpeza minuciosa é necessária para manter a saúde geral do aquário .

Figura 10

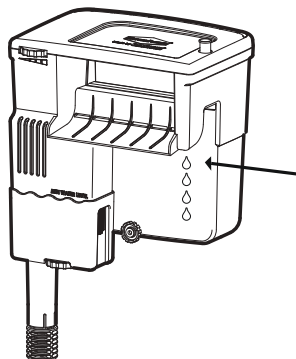
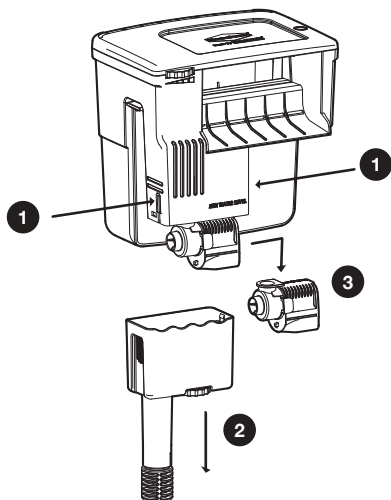
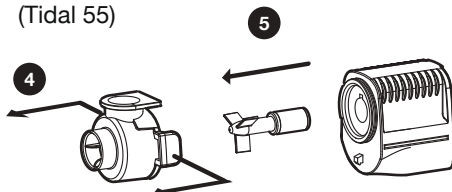


Figura 11-A



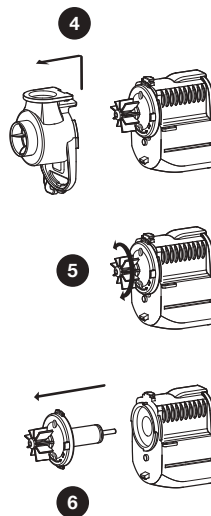
Para fazer a manutenção da bomba, proceda da seguinte forma (Fig 11) : Pressione o lado do filtro (1), puxe para baixo na caixa da bomba (2), puxe o cabo de alimentação do corpo do filtro e empurre a bomba para a direita até escutar o clique e, em seguida, puxe para baixo (3). Para os Tidal 55, puxe cuidadosamente a tampa da entrada da bomba (4, Fig 11 -B). Isto irá mostrar o impeller (5) .

Figura 11-B
(Tidal 55)



Para Tidal 75 e 110, puxar para cima e para trás sobre o grampo superior da tampa do rotor (4, Fig11-C). Girar a base do rotor anti-horário para destravá-lo (5), e, em seguida, puxe-o livre de sua caixa (6).

Figura 11-C
(Tidal 75 & 110)



Lave o impeller completamente para remover qualquer lodo ou sujeiras. Não use sabão ou detergente. Se desejar, uma solução diluída de água e vinagre pode ser usada para a dissolver qualquer acúmulo de crosta de cal

Após a limpeza, recoloque o impeller assegurando que gire livremente em torno do eixo e recoloque a tampa de entrada da bomba. Monte os componentes restantes na ordem inversa. Depósitos de calcário e o desgaste natural dos componentes podem causar o aumento de barulhos. No entanto, eles não afetam o bom funcionamento do filtro. Em tais casos, é aconselhável substituir o impeller para retornar para a operação silenciosa.

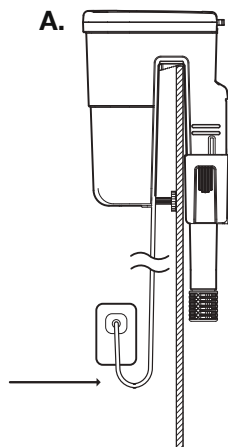
NORME DI SICUREZZA

Per evitare infortuni, precauzioni di sicurezza dovrebbero essere osservate quando si utilizzano apparecchi elettrici

I FILTRI TIDAL sono conformi alle norme di sicurezza nazionali ed internazionali.

LEGGETE ATTENTAMENTE LE SEGUENTI ISTRUZIONI PER UN CORRETTO UTILIZZO DEL PRODOTTO

1. Controllare che la tensione riportata sull'etichetta della pompa corrisponda alla tensione di rete. L'apparecchio deve essere alimentato attraverso un interruttore differenziale (salvavita), la cui corrente nominale sia inferiore o uguale a 30mA.
2. La pompa non deve mai funzionare senza acqua per evitare danni al motore.
3. Prima di collegare l'apparecchio alla rete controllare che il cavo e la pompa non risultino in qualche modo danneggiati.
4. La pompa è costruita con un collegamento di tipo Z. Il cavo e la spina non possono essere sostituiti o riparati; in caso di danneggiamento sostituire l'intero apparecchio.
5. Prima di collegare l'apparecchio alla rete controllare che il cavo e la pompa non risultino in qualche modo danneggiati.
6. Il filtro può essere utilizzato in liquidi o in ambienti con temperatura non superiore ai 35 °C / 95 °F.
7. Non utilizzare l'apparecchio per scopi diversi da quelli per i quali è stato realizzato, come ad es. in stanze da bagno o applicazioni simili.
8. Evitare di far funzionare il filtro con liquidi corrosivi ed abrasivi.
9. Questo dispositivo non è progettato per essere utilizzato da persone (inclusi bambini) con ridotte capacità fisiche, sensoriali e mentali a meno che non siano accompagnati da persone responsabili per la loro sicurezza.
10. Per evitare che accidentali gocciolamenti bagnino la spina o la presa di corrente realizzare con il cavo un'ansa sotto il livello della presa (Fig. A).
11. Evitare di sollevare il filtro dal cavo di alimentazione durante l'installazione e la manutenzione.
12. Il filtro può essere utilizzato solamente nelle applicazioni suddette ed è destinato esclusivamente ad uso in ambiente interno, se dotato di cavo bipolare..



DO NOT DISCARD THESE INSTRUCTIONS.

AVVERTENZE PER IL CORRETTO SMALTIMENTO DEL PRODOTTO AI SENSI DELLA DIRETTIVA EUROPEA 2002/96/EC

Alla fine della sua vita utile, il prodotto non deve essere smaltito insieme ai rifiuti urbani. Può essere consegnato presso gli appositi centri di raccolta differenziata predisposti dalle amministrazioni comunali, oppure presso i rivenditori che forniscono questo servizio. Smaltire separatamente un elettrodomestico consente di evitare possibili conseguenze negative per l'ambiente e per la salute favorendo il recupero dei materiali ed un importante risparmio energetico.

LIMITI NELLA GARANZIA

Seachem offre una garanzia per questo prodotto (vedi ESCLUSIONI come di seguito) all'acquirente originale, contro difetti di materiali e di manodopera per un periodo di tre (3) anni dalla data di acquisto originale, con possibilità di un'estensione per due (2) anni tramite la registrazione del prodotto su www.seachem.com; questo vale per tutte le parti del prodotto, eccetto la girante, che è coperta da una garanzia di sei (6) mesi. Questa garanzia si limita alla riparazione o sostituzione (a sola discrezione di Seachem) del prodotto difettoso e non copre le perdite subite dell'acquario, lesioni personali, perdite o danni causate dall'utilizzo del prodotto. È necessario conservare la prova di acquisto originale per convalidare la garanzia. Qualsiasi garanzia qui decorre in concomitanza con, e non in aggiunta a, qualsiasi periodo minimo di garanzia stabilito dalla legge applicabile.

I reclami coperti da garanzia devono essere compilati on-line nel sito www.seachem.com da parte dell'acquirente originale, che deve fornire la prova di acquisto al momento della sottoscrizione. Il richiedente deve ottenere un'autorizzazione di reso "RMA" al momento della richiesta prima di inviare qualsiasi prodotto per richiesta sostituzione o assistenza tecnica. L'acquirente sostiene il costo di spedizione da e per il centro di assistenza o stazione di riparazione.

ESCLUSIONI. Questa garanzia non copre i seguenti : * Danni derivanti da incidenti, uso improprio, abuso, mancanza di ragionevole cura, uso del prodotto diverso da normale o ordinario, utilizzando il progetto in condizioni di lavoro anomali o altri guasti non derivanti da difetti del materiale o di lavorazione. *Danni derivanti da modifiche, manomissioni o tentativi di riparazione da parte di soggetti diversi da Seachem o suo designato. * Trasferimenti del prodotto a qualcuno che non sia l'acquirente originale. * Assoggettamento del prodotto a servizio elettrico non come indicato dalla confezione; l'acquirente originale è responsabile di fornire un adeguato impianto elettrico.

DANNI ESCLUSI E LIMITI DI GARANZIA

La vostra unica ed esclusiva soluzione è la riparazione o la sostituzione del prodotto, come prevede questa garanzia limitata. La società declina ogni responsabilità per danni incidentali e consequenziali per violazione di qualsiasi garanzia o condizioni espressa o implicita, comprese le garanzie implicite o condizioni di commerciabilità, di qualità mercantile, idoneità per uno scopo particolare, o di qualità soddisfacente rispetto a questo prodotto. Questa scrittura costituisce l'intero accordo di garanzia delle parti in relazione alla materia oggetto del presente documento, nessuna rinuncia o modifica è valida se non sottoscritta e firmata da Seachem. Tutte le garanzie implicite nel presente documento sono limitate a un anno o più breve periodo consentito dalla legge del vostro paese.

INTRODUZIONE

Congratulazioni per l'acquisto del nuovo filtro appeso Seachem Tidal™. Siate certi di aver investito in un filtro di qualità, ben ingegnerizzato che manterrà il vostro acquario sano e pulito, con una manutenzione minima per gli anni a venire. La gamma di filtri Seachem Tidal™ è stata progettata e realizzata appositamente per Seachem da Sicce in Italia per assicurare la massima qualità e prestazioni al top.

Caratteristiche

1. Basso consumo in rapporto ad un flusso abbondante consente una circolazione importante con risparmio energetico
2. Funzionamento silenzioso anche per l'ambiente domestico o l'ufficio più silenzioso
3. Pompa auto innescante per consentire un'installazione facile ed affidabile
4. Bassa manutenzione per la facilità della cura dell'acquario
5. Girante auto-pulente per ridurre la manutenzione della pompa
6. Componenti non corrosive per consentire l'applicazione del filtro in acqua dolce o marina
7. Cestello ad ampio volume filtrante che consente l'utilizzo di qualsiasi materiale filtrante.
8. Seachem Matrix™ bio-media incluso per rimuovere completamente ammoniaca, nitriti e nitrati
9. Cestello removibile per una facile pulizia
10. Coperchio reversibile con doppio utilizzo nelle operazioni di pulizia, diventa vassoio antigoccia per l'appoggio del cestello durante la manutenzione.
11. La cascata consente un'extra aerazione dell'acquario
12. Il profilo contenuto riduce l'interferenza con il posizionamento in acquario
13. La ghiera di livellamento consente un esatto posizionamento sulla parete dell'acquario
14. Lo skimmer di superficie trattiene sostanze organiche pulendo la superficie dell'acquario
15. La portata regolabile del flusso consente un utilizzo versatile per diverse esigenze di acquario
16. La doppia aspirazione dalla superficie o dal fondo permette di concentrarsi su un'area specifica per la pulizia dell'acquario
17. Il tubo telescopico regolabile consente l'aspirazione da qualsiasi profondità
18. La clip di supporto per il riscaldatore consente la dispersione sicura del calore attraverso il flusso d'acqua creato dal filtro
19. La cascata di ritorno è dotata di feritoie di aerazione per aumentare il redox e l'aerazione dell'acquario.
20. Spia di manutenzione, segnala quando il cestello ha necessità di manutenzione

In breve, avete acquistato il miglior filtro appeso disponibile nel mercato! Grazie.

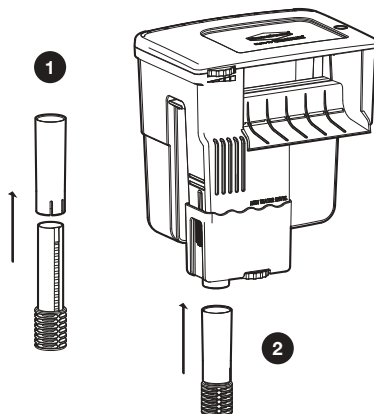
ELENCO DEI COMPONENTI



ASSEMBLAGGIO E INNESCO

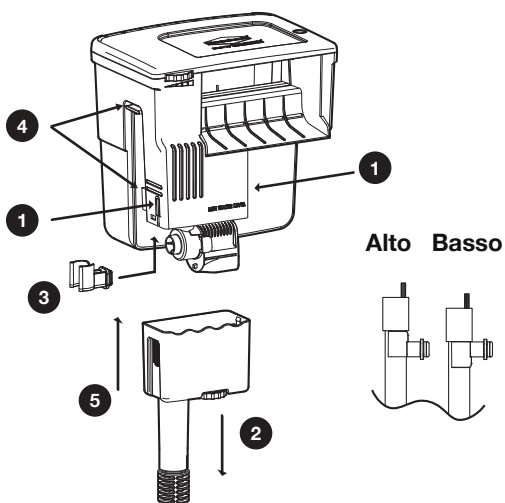
Assemblare le due parti del tubo telescopico. Agganciare il tubo telescopico nel contenitore della pompa. (Fig 1)

Figura 1



Se si desidera inserire un riscaldatore sul filtro (Fig 2), premere i lati del filtro (1), tirare verso il basso per rimuovere il coperchio del vano pompa (2), inserire il supporto del riscaldatore nel suo alloggiamento (3). Il supporto riscaldatore può essere inserito a faccia in su o in giù a seconda della lunghezza del riscaldatore. Inserire il cavo nelle apposite sedi (4) prima di riposizionare il vano pompa (5).

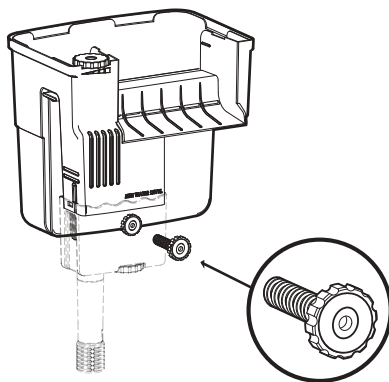
Figura 2



ASSEMBLAGGIO E INNESCO

Fissare la manopola del filtro di livellamento nella parte inferiore del filtro per preparare il posizionamento e livellare con l'acquario il filtro stesso. (Fig.3)

Figura 3



Posizionare il filtro sul bordo dell'acquario (Fig. 4-A) e regolare la ghiera di livellamento avvitando o svitando finché il filtro è a livello con l'acquario.

Inserire il cavo della pompa nelle guide come mostrato (Fig 4-B) ed collegare il cavo alla presa assicurandosi di formare un anello a goccia come mostrato nelle istruzioni di sicurezza e in Figura 4-B.

Figura 4-A

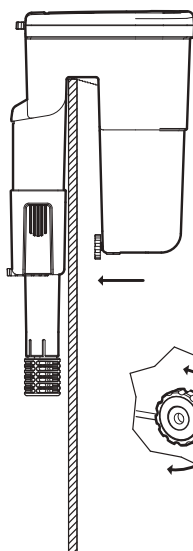
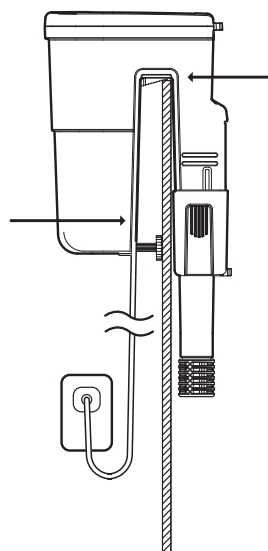


Figura 4-B



PREPARAZIONE DEL CESTELLO

Rimuovere tutti i sacchetti di plastica contenenti supporti di filtrazione prima di innescare il filtro. Tutti i filtri TIDAL™ sono stati progettati per contenere qualsiasi tipo di materiale filtrante. In generale ci sono tre tipi di filtrazione utilizzati nella maggior parte degli acquari - meccanica, chimica e biologica.

La filtrazione meccanica comprende materiali filtranti che rimuovono i residui grossolani . La filtrazione chimica comprende materiale filtrante che rimuove chimicamente composti disciolti dall'acqua. La filtrazione biologica offre un alloggiamento per la crescita dei batteri e ripartizione dei rifiuti organici.

Tutti i filtri TIDAL™ includono una spugna filtrante di fondo per la filtrazione meccanica e Matrix™ per un' eccezionale filtrazione biologica. Ci sono una varietà di opzioni di filtrazione chimici disponibili per scopi differenti a seconda della varietà di ambienti acquario. Seachem MatrixCarbon™ è una delle opzioni preferite perchè adatta ad una vastissima varietà di ambienti acquario. MatrixCarbon™ è disponibile per qualsiasi modello del filtro TIDAL™ .

Risciacquare abbondantemente la spugna e tutti i materiali filtranti sotto l'acqua corrente prima di inserirli nel filtro. Stratificare i materiali filtranti sopra la spugna posizionata nel fondo del filtro, e a seguire i materiali di filtrazione chimica, come MatrixCarbon™ ed infine il materiale filtrante biologico Matrix™. Non rimuovere Matrix™ dalla sua rete. La confezione a rete è stata piegata; aprire la confezione nella sua lunghezza e distribuire Matrix™ in modo uniforme prima di inserirlo nel filtro. Al fine di seminare più rapidamente Matrix™ con i batteri, si consiglia l'aggiunta di Seachem Stability™ per il vostro acquario. Il cestello interno impedisce l'aggiramento dell'acqua , consentendo la rimozione rapida e la pulizia della spugna filtro inferiore e qualsiasi supporto utilizzato. Per evitare interferenze con il corretto flusso attraverso il filtro non sovraccaricare il cestello media filtrante. Un' indicazione sarà data dall'attivazione della segnalazione di manutenzione o gocciolamento dal lato destro della parete di ritorno (Fig 10, pagina 63).

Fig 5: Posizionamento materiale filtrante (dal basso all'alto)



INNESCO DEL FILTRO

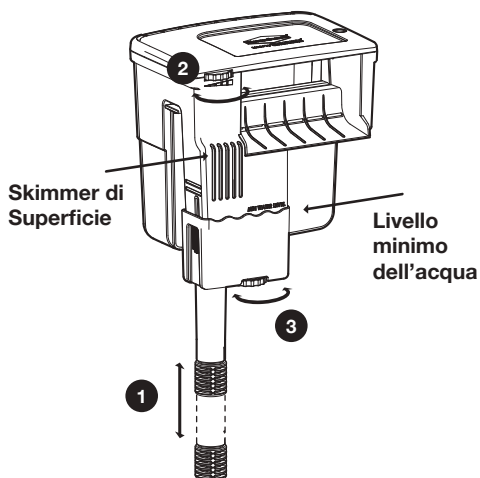
Dopo aver assemblato e installato il filtro Tidal™ in un acquario completo d'acqua e collegato adeguatamente alla corrente. Il filtro si innesca automaticamente e inizia a filtrare l'acqua. Regolare le tre possibili impostazioni in base alle preferenze o esigenze (Figura 6):

1. Alzare o abbassare l'aspirazione del tubo telescopico alla profondità desiderata in base all'altezza dell'acquario.
2. Regolare la quantità di flusso desiderato del filtro. Regolare le prestazioni in base al: volume dell'acquario, il tipo, o per fornire un ambiente adeguato ai pesci che preferiscono più o meno il movimento dell'acqua e di ossigenazione. Questa caratteristica offre una riduzione fino al 80% del flusso massimo. Quando il flusso in aspirazione è ridotto, la griglia permette all'acqua di ri-circolare attraverso i materiali filtranti, massimizzando le prestazioni di filtrazione attraverso un maggiore tempo di contatto.

3. Regolare la quantità di aspirazione dalla superficie dell'acqua chiudendo l'aspirazione dal fondo nel tubo telescopico.

Il livello minimo di acqua in acquario non dovrebbe scendere al di sotto il marchio "Minimum Water Level". Un livello inferiore potrebbe fermare il flusso di acqua e provocare danni alla pompa - non consentire che la pompa lavori a secco. Non esiste un livello massimo dell'acqua anche se si consiglia che il livello non superi l'altezza della superficie delle ferritorie dello skimmer.

Figura 6



ATTENZIONE : Prima di effettuare qualsiasi manutenzione del filtro Tidal™, sconnettere la spina dalla presa elettrica.

I filtri di Tidal™ sono realizzati per offrire un eccellente funzionamento con bassa manutenzione. Tuttavia, una manutenzione regolare può aiutare notevolmente nella salute generale e il benessere del vostro acquario. Il dispositivo di allarme di manutenzione offre un ottimo segnale per eseguire la manutenzione ordinaria sul filtro Tidal™. Il dispositivo di allarme di manutenzione indica che il flusso non è in grado di muoversi efficacemente attraverso

i materiali filtranti. Quando l'avviso di manutenzione supera il coperchio del filtro a circa ½ "o 1 cm (Fig. 7), è il momento di pulire il filtro.

Per iniziare la pulizia del filtro, (Fig 8) sollevare il coperchio (1), far scorrere il blocco cestello filtro blu (2) verso la parte anteriore del filtro e rimuovere il cestello sollevando le due maniglie laterali (3).

Figura 7

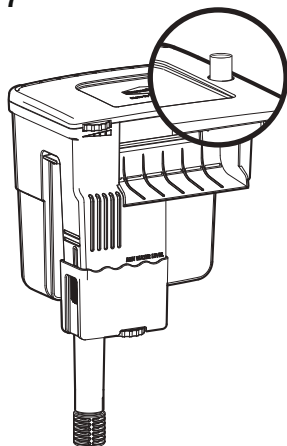
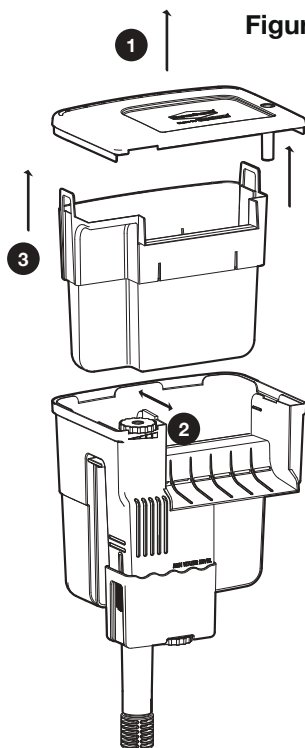


Figura 8



Girare il coperchio sopra (Figura 9-A) ed agganciare il cestello materiale filtrante nelle fessure sul coperchio (1). Ora è possibile portare il cestello con il materiale filtrante in una zona di servizio per la pulizia del filtro senza spargere acqua.

Rimuovere cartuccia di Matrix™, tutti i materiali di filtrazione chimica e la spugna inferiore. (Fig 9-B)

Lavare la spugna posizionata nel fondo. Non utilizzare saponi o detersivi che possono danneggiare gli abitanti dell'acquario. Risciacquare o sostituire qualsiasi supporto di filtrazione chimica, se necessario. Materiali filtranti di ricambio sono stati progettati specificamente per le unità filtranti Tidal™ (Matrix™, MatrixCarbon™, e Zeolite) e sono venduti separatamente.

Il sacchetto di Matrix™ contiene batteri importanti per la stabilità dell'ambiente dell'acquario. Non permettere al materiale di asciugarsi. I supporti possono essere lavati delicatamente in un contenitore con dell'acqua dall'acquario per rimuovere qualsiasi rivestimento che si può formare nel tempo. Se si vuole sostituire il materiale Matrix™ è consigliabile sostituire non più della metà del materiale in qualsiasi momento in modo da proteggere la cultura batterica che permette un ambiente stabile. In questo momento vorremmo suggerire la reintroduzione nell'acquario di Seachem Stability™. Lavare il cestello. Rimontare i materiali e tutti i componenti in ordine inverso.

Figura 9-A

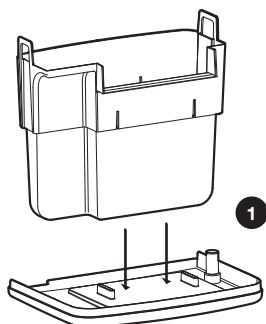
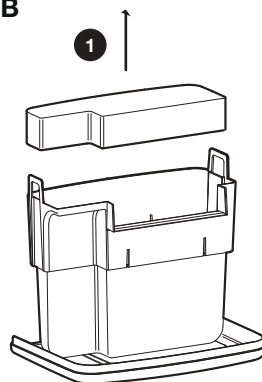


Figura 9-B



Se il filtro inizia a gocciolare dal lato destro (Fig 10) della parete, significa che il cestello è completamente intasato. L' acqua in questo caso non passa attraverso il materiale filtrante ed è necessaria una pulizia approfondita per mantenere la salute generale dell'acquario .

Figura 10

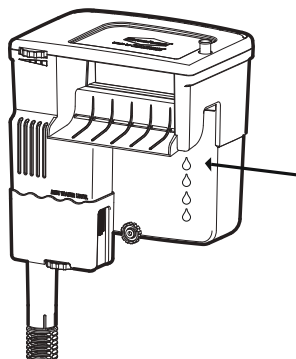
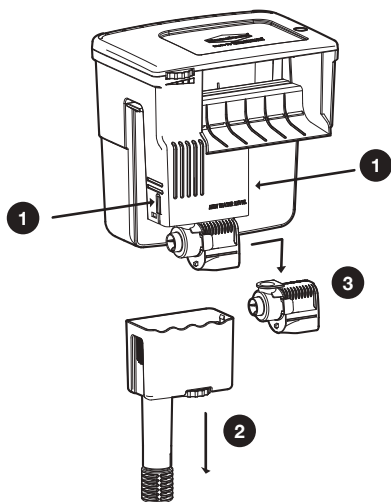
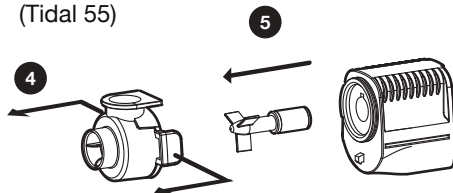


Figura 11-A



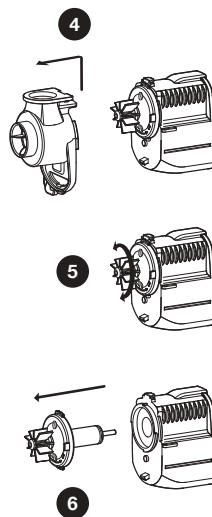
Per la manutenzione della pompa, procedere come segue (Figura 11): Premere il lato del filtro (1), tirare verso il basso sul corpo della pompa (2), svincolare il cavo di alimentazione dal corpo filtro e spingere la pompa verso destra (3). Per il modello Tidal 55 , tirare delicatamente il coperchio di aspirazione della pompa (4, Fig 11-B) per avere accesso alla girante (5).

Figura 11-B
(Tidal 55)



Per Tidal 75 e 110, tirare in alto e indietro sulla clip superiore del coperchio girante (4, Figura 11-C). Ruotare la base della girante in senso antiorario per sbloccarlo (5), e poi liberarlo dalla sua sede (6).

Figura 11-C
(Tidal 75 & 110)



Lavare la girante accuratamente per rimuovere qualsiasi sporcizia o calcare. Non utilizzare sapone o detergente. Se si desidera, una soluzione diluita di aceto e acqua può essere usata per rimuovere il calcare in accumulo.

Dopo la pulizia, riposizionare la girante accertandosi che ruoti liberamente attorno all'albero e il coperchio di aspirazione della pompa. Rimontare i restanti componenti in ordine inverso. Depositi di calcare e l'usura normale possono ridurre la silenziosità. Tuttavia, esse non compromettono il corretto funzionamento del filtro. In questi casi è consigliabile sostituire la girante per il funzionamento silenzioso del filtro.

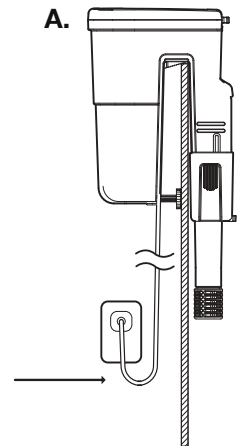
WICHTIGE SICHERHEITSHINWEISE

ADVERTENCIA: Para evitar lesiones, se deben tomar precauciones básicas de seguridad, incluyendo las siguientes normas de seguridad:

TIDAL FILTER entsprechen den nationalen und internationalen gesetzlichen Sicherheitsvorschriften.

LESEN UND BEFOLGEN SIE ALLE SICHERHEITSHINWEISE

1. Vor Gebrauch des Filters ist die auf dem Etikett angegebene Netzspannung zu überprüfen. Das Filter sollte über FI- Schutzschalter < 30 mA betrieben werden.
2. Das Filter darf nicht trocken laufen um Beschädigungen am Rotor zu vermeiden.
3. Vor Anschluss des Geräts vergewissern Sie sich Unversehrtheit des Produkts. Insbesondere dürfen das Kabel und das Filter keinerlei Beschädigungen aufweisen.
4. Netzkabel dürfen nicht verändert oder beschädigt werden. Das Netzkabel darf nicht zum Befestigen des Filters verwendet werden. Liegt eine Beschädigung des Netzkabels vor, ist die Pumpe auszuwechseln.
5. Vor Anschluss des Geräts vergewissern Sie sich Unversehrtheit des Produkts. Insbesondere dürfen das Kabel und das Filter keinerlei Beschädigungen aufweisen.
6. Die maximale Flüssigkeitstemperatur darf 35° C / 95° F nicht überschreiten.
7. Das Filter darf nicht in ätzender Säure verwendet werden. Wenn sich das Filter in Betrieb befindet, ist außerdem sicherzustellen, dass sie keinen Sand ansaugt, der die Innenteile ernsthaft beschädigen und folglich zum Ausschluss des Produktes von der Garantie führen kann.
8. Das Filter darf nicht mit korrosiven und abrasiven Flüssigkeiten verwendet werden.
9. Das Filter darf nicht von ohne Aufsicht von Kindern oder persönlich eingeschränkten Menschen benutzt werden. Außerhalb der Reichweite von Kindern aufbewahren.
10. Beim Anschluss des Filter an das Stromnetz ist so vorzugehen, dass sich der niedrigste Punkt des Kabels unterhalb der Netzsteckdose befindet, damit nicht zufällig Wassertropfen vom Kabel in die Steckdose gelangen können (Abb. A - DRIP LOOP).
11. Das Kabel ist weder durchzuschneiden noch ist daran zu ziehen, um die Stromspeisung zu unterbrechen.
12. Das Filter darf nur im Innenbereich eingesetzt werden.



DIESE ANWEISUNGEN NICHT WEGWERFEN.

ENTSORGUNG (NACH RL2002/96/EC)

Gerät darf nicht dem normalen Hausmüll beigefügt werden, sondern muss fachgerecht entsorgt werden. Wichtig für Deutschland: Gerät über Ihre kommunale Entsorgungsstelle entsorgen. Entsorgung von Altgeräten: Wenn dieses Symbol eines durchgestrichenen Abfallimers auf einem Produkt angebracht ist, unterliegt dieses Produkt der europäischen Richtlinie 2002/96/EC. Alle Elektro- und Elektronik-Altgeräte müssen getrennt vom Hausmüll über die dafür staatlich vorgesehenen Stellen entsorgt werden. Mit der ordnungsgemäßen Entsorgung des alten Geräts vermeiden Sie Umweltschäden und eine Gefährdung der persönlichen Gesundheit. Weitere Informationen zur Entsorgung des alten Geräts erhalten Sie bei der Stadtverwaltung, beim Entsorgungsamt oder in dem Geschäft, wo Sie das Produkt erworben haben.

BESCHRÄNKTE GARANTIE

Seachem gewährt dem Originalkäufer auf dieses Produkt eine Garantie für Material- und Verarbeitungsmängel (Ausnahmen s. unten) für einen Zeitraum von drei (3) Jahren vom Kaufdatum an, die durch Registrierung des Produkts auf www.seachem.com für weitere zwei (2) Jahre verlängert werden kann; gilt für alles bis auf das Pumpen-Laufrad, das eine Garantiezeit von sechs (6) Monaten hat. Diese Garantie beschränkt sich auf die Reparatur und den Ersatz defekter Produkte (durch Seachem) und deckt nicht den Verlust von Aquariumsleben, Personenschäden, Vermögensschäden oder Schäden durch die Verwendung des Produkts. Sie müssen den originalen Kaufbeleg behalten, um den Garantieanspruch zu bestätigen. Jegliche Gewährleistung läuft gleichzeitig mit, aber nicht zusätzlich zu, der durch das geltende Recht geregelten, minimalen Garantiezeit ab.

Garantieansprüche sind vom Originalkäufer online auf www.seachem.com zu stellen. Dort muss auch ein Kaufbeleg bereitgestellt werden. Der Anspruchsberechtigte muss eine "Warenrücksendungsgenehmigung" haben, bevor ein Artikel für die Garantie oder für technischen Service abgeschickt werden kann. Der Käufer trägt die Kosten für den Versand zum Service-Center oder zur Reparaturwerkstatt und für den Rückversand.

AUSNAHMEN: Diese Garantie deckt das Folgende nicht ab: *Schäden, die durch Unfall, Fehlgebrauch, Missbrauch oder Mangel an angemessener Sorgfalt entstehen sowie solche, die durch unnormalen, unüblichen Gebrauch oder durch Verwendung in anormalen Betriebsbedingungen verschuldet sind, sowie jegliche andere Ausfälle, die nicht aus Material- oder Verarbeitungsdefekten resultieren. *Schäden, die durch Modifizierung, Pfusch oder versuchte Reparatur durch jemand anderes als Seachem oder dessen Bevollmächtigte entstehen. *Weitergabe des Produkts an jemand anderes als den Originalkäufer. *Das Aussetzen des Produktes einer nicht in der Verpackung spezifizierten Elektrizität; der Originalkäufer ist dafür verantwortlich, adäquate elektrische Einrichtungen zur Verfügung zu stellen.

AUSGESCHLOSSENE SCHÄDEN UND BEGRENZUNG DER STILLSCHWIGENDEN GARANTIE

Ihr einziges und exklusives Rechtsmittel sind Produktreparatur und Produktersatz wie in dieser beschränkten Garantie dargestellt. Das Unternehmen lehnt jegliche Haftung für Nebenschäden oder Folgeschäden durch den Verstoß gegen explizite oder stillschweigende Garantien oder Bedingungen ab, einschließlich der stillschweigenden Garantien oder Bedingungen bzgl. Handelsüblichkeit, handelsüblicher Qualität, Eignung für einen bestimmten Zweck oder der zufriedenstellenden Qualität in Bezug auf dieses Produkt. Dieses Schreiben stellt die gesamte Garantie-Übereinkunft zwischen den Parteien hinsichtlich des Vertragsgegenstands dar. Kein Verzicht und keine Änderung sind ohne schriftliche Bestätigung durch Seachem gültig. Jegliche stillschweigenden Garantien sind begrenzt auf ein Jahr bzw. die kürzeste, im Rahmen des geltenden Rechts gültige Zeitspanne.

EINLEITUNG

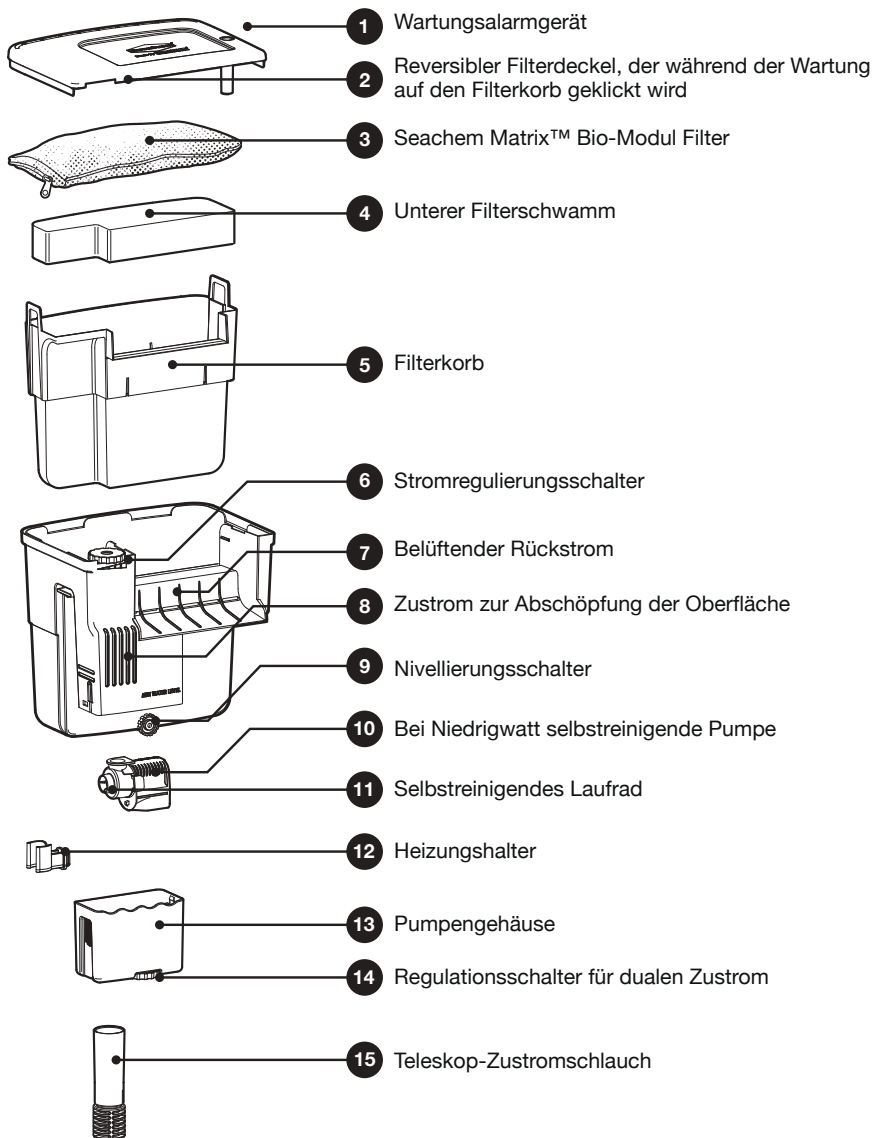
Herzlichen Glückwunsch zum Erwerb Ihres neuen Seachem Tidal™ Hängfilters. Sie können sich absolut sicher sein, dass Sie in einen ausgereiften Premium-Filter investiert haben, der Ihr Aquarium mit minimalem Wartungsaufwand über Jahre hinweg sauber und gesund halten wird. Die Filterreihe von Seachem Tidal™ wurde durch SICCE in Italien speziell für Seachem angefertigt, um die höchstmögliche Qualität und Leistung sicherzustellen.

Eigenschaften:

1. Die niedrige Wattzahl bei hoher Fließgeschwindigkeit erlaubt Energieeinsparung bei exzellenter Zirkulation.
2. Geräuscharmer Betrieb selbst für das stillste Zuhause oder Büro.
3. Die selbstansaugende Pumpe erlaubt verlässliches Starten.
4. Geringer Wartungsaufwand für langzeitige Aquariumpflege.
5. Das selbstreinigende Laufrad reduziert den Wartungsbedarf der Pumpe.
6. Nicht-korrosive Bauteile erlauben den Einsatz in Süßwasser- oder Salzwasseraquarien.
7. Ein Filterkorb mit außergewöhnlich hohem Fassungsvermögen erlaubt den Einsatz eines jeden Filtermoduls.
8. Das integrierte Seachem Matrix™ Bio-Modul entfernt vollständig Ammonium, Nitrite und Nitrate.
9. Der entfernbare Filterkorb ermöglicht eine einfache Reinigung.
10. Die Filterabdeckung dient auch als Sicherheitsauffang für den Filterkorb, um Spritzer während der Reinigung zu vermeiden.
11. Ventilationsschlitze ermöglichen gleichmäßigen Luftstrom und verbessern den Gasaustausch.
12. Das komprimierte Profil reduziert Schwierigkeiten bei der Platzierung des Aquariums.
13. Ein Nivellierungsschalter an der Wand des Aquariums erlaubt das exakte Platzieren.
14. Das Abschöpfen der Oberfläche nimmt umherschwimmende organische Stoffe und Schaum von der Wasseroberfläche.
15. Anpassbare Durchflussraten ermöglichen den vielseitigen Einsatz in einer Reihe von Aquariumsumgebungen.
16. Anpassbarer Zustrom an der Oberfläche oder in der Tiefe ermöglicht, auf spezifische gefilterte Gebiete zu fokussieren.
17. Teleskop-Zustrom erlaubt Zustrom in jeder Tiefe.
18. Halterungsclips der Heizung sorgen für eine sichere und gleichmäßige Wärmeverteilung durch die Filterströmung.
19. Eine Rücklaufwand bietet Belüftungsschlitze, um Redoxpotential und die Belüftung des Aquariums zu verbessern.
20. Der Wartungsmonitor zeigt an, wenn der Korb gereinigt werden muss.

Vereinfacht gesagt, haben Sie den besten Hängfilter, den es gibt, erworben. Vielen Dank.

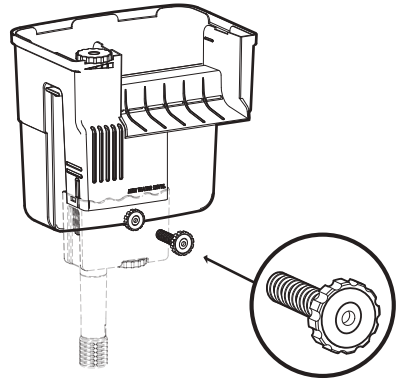
ZUBEHÖRTEILE CHECKLISTE



MONTAGE UND INBETRIEBSETZUNG

Drehen Sie den Nivellierungsschalter des Filters in den Boden des Filtergehäuses, als Vorbereitung den Filter einzuhängen und zu nivellieren (Abb. 3).

Abbildung 3



Platzieren Sie den Filter an der Kante des Aquariums (Abb. 4-A) und passen Sie den Nivellierungsschalter an, indem Sie ihn auf- oder abschrauben bis der Filter auf der passenden Höhe mit dem Aquarium ist.

Setzen Sie das Pumpenkabel wie dargestellt in die Führung ein (Abb. 4-B) und führen Sie das Kabel zur Steckdose. Stellen Sie dabei sicher, dass Sie dabei eine Tropfschleife drehen, wie in den Sicherheitsvorschriften und in Abb. 4-B dargestellt.

Abbildung 4-A

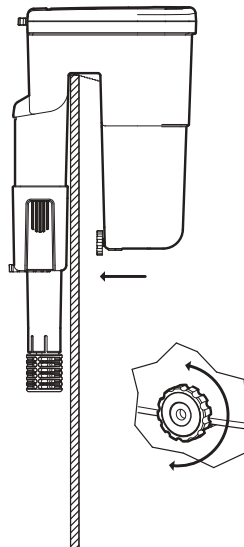
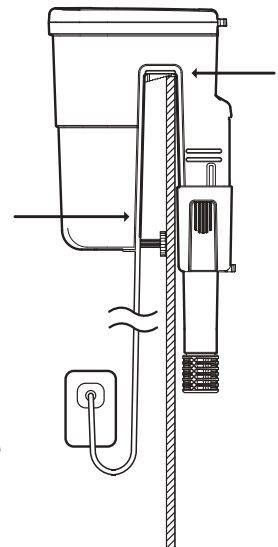


Abbildung 4-B



BEFÜLLEN DES FILTERMODULKORBES

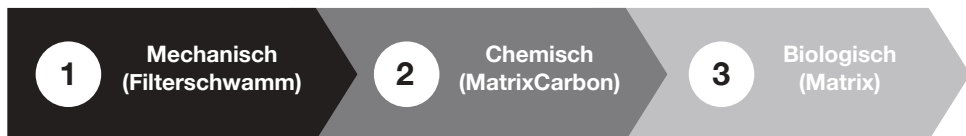
Bevor Sie den Filter starten, entfernen Sie alle Plastiktüten, die Filtrationsmodule beinhalten. Alle Tidal™ Filter wurden so hergestellt, dass sie alle Filtermodule enthalten können. Allgemein gibt es drei Filtrationsarten, die in den meisten Aquarien eingesetzt werden – mechanisch, chemisch und biologisch.

Mechanische Filtration enthält Module, die Abfall direkt vom Filter einfangen. Chemische Filtration enthält Filtermodule, die durch eine chemische Reaktion gelöste Verbindungen aus dem Wasser entfernen. Biologische Filter bieten Bakterien ein Zuhause an, um organischen Abfall aufzubrechen.

Alle Tidal™ Filter enthalten einen unteren Filterschwamm für mechanische Filtration und Matrix™ Bio-Module für eine hervorragende biologische Filtration. Es gibt eine Vielzahl an Optionen für chemische Filtration, die aufgrund verschiedener Aquarienumgebungen für unterschiedliche Zwecke geeignet sind. Seachems MatrixCarbon™ ist die präferierte Option für beinahe alle Aquarieneinrichtungen. MatrixCarbon™ ist fertig abgepackt für Tidal™ Filter jeglicher Größe erhältlich.

Reinigen Sie den Schwamm und alle Filtermodule gründlich unter fließendem Wasser bevor Sie sie in den Filterkorb einsetzen. Schichten Sie die Module so, dass der Schwammfilter am Boden liegt, darauf ein chemisches Filtrationsmodul wie MatrixCarbon™ und letztlich das biologische Matrix™ Modul. Entfernen Sie Matrix™ nicht aus der Netztasche. Die Netztasche ist übergeklappt gepackt; legen Sie sie längs hin und verteilen Sie Matrix™ gleichmäßig bevor Sie es im Filterkorb platzieren. Um Matrix™ schneller mit Bakterien anzusiedeln, empfehlen wir, Seachems Stability™ Ihrem Aquarium hinzuzufügen. Der interne Korb verhindert Wasserumleitung und erlaubt das schnelle Entfernen und Reinigen des unteren Filterschwamms und jeder benutzten Moduls. Um eine Behinderung des ordnungsgemäßen Durchstroms zu vermeiden, überfüllen Sie den Filterkorb nicht. Ein Anzeichen dafür ist die Aktivierung des Wartungsalarms oder ein Tropfen von der rechten Seite der Rückstromwand (Abb. 10, Seite 75).

Abb. 5: Schichten der Filtrationsmodule (von unten nach oben)



INBETRIEBSETZEN DES FILTERS

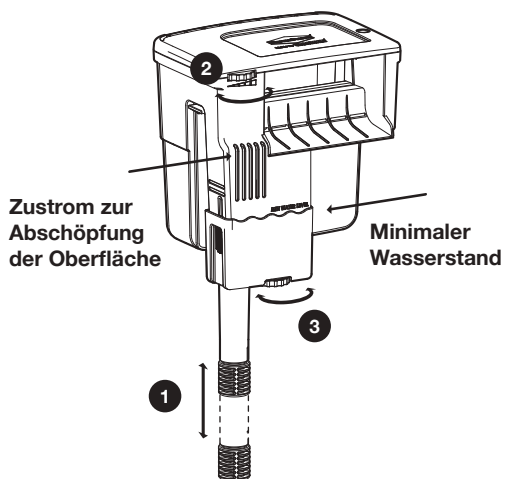
Nach der Montage und Installation des Tidal™ Filters auf einem gefüllten Aquarium, verbinden Sie das Netzkabel mit der Steckdose. Der Filter ist selbstansaugend und wird sofort mit der Filtration des Wassers beginnen. Passen Sie die drei möglichen Einstellungen entsprechend der Vorliebe und des Bedarfs an (Abb. 6):

1. Setzen Sie den Teleskop-Ansauger zu der gewünschten Tiefe im Aquarium hinauf oder hinab.
2. Passen Sie die Gesamtmenge des Wasserstroms durch den Filter an. Passen Sie die Leistung entsprechend des spezifischen Aquariumsolumen und -typ an und stellen Sie den Fischen eine adäquate Umgebung bereit; angepasst daran, ob sie mehr oder weniger Wasserbewegung oder Sauerstoffzufuhr präferieren. Diese Einstellung bietet eine Einsparung von bis zu 80% der maximalen Einstroms bei voller Nutzung des Filtermotors. Wenn der reduzierte Einstrom ausgewählt wurde, erlaubt das Refiltrationsnetz dem Wasser durch den Filter zu zirkulieren und dabei die Filtrationsleistung durch erweiterte Kontaktzeit zu maximieren.

3. Stellen Sie die Menge des Zustroms von der Oberfläche gegenüber des Teleskop-Zustroms ein

Der minimale Wasserstand innerhalb des Aquariums sollte nicht unter die Markierung "Minimal Water Level" fallen. Ein niedrigerer Stand könnte das Fließen des Wassers stoppen und ein Problem mit der Pumpe verursachen - lassen Sie die Pumpe nicht trocken laufen. Es gibt keinen maximalen Wasserstand, allerdings ist es zu empfehlen, dass das Wasser nicht die Höhe der Abschöpf-Schlitze an der Oberfläche übersteigt.

Abbildung 6



WARNUNG: Ziehen Sie immer den Netzstecker aus der Steckdose, bevor Sie eine Wartung am Tidal™ Filter vornehmen.

Tidal™ Filter sind so ausgelegt, dass sie exzellente Funktionalität bei geringem Wartungsaufwand bieten. Jedoch kann die regelmäßige Wartung maßgeblich dazu beitragen, die allgemeine Gesundheit und das Wohl des Aquariums zu gewährleisten. Der Wartungsalarm bietet ein hervorragendes Signal, um eine Routine-Wartung des Tidal™ Filters auszuführen. Der Wartungsalarm zeigt an, dass er Wasserstrom nicht frei durch den Filtermodulkorb fließen kann. Wenn der

Wartungsalarm die Filterabdeckung um ½" oder 1 cm (Abb. 7) übersteigt, ist es an der Zeit, den Filter zu reinigen.

Um den Filter zu reinigen (Abb. 8), heben Sie die Abdeckung (1), schieben Sie den blauen Filterkorbverschluss (2) zur Vorderseite des Filters and entfernen Sie den Filtermodulkorb, indem Sie ihn an den beiden seitlichen Henkeln hochziehen (3).

Abbildung 7

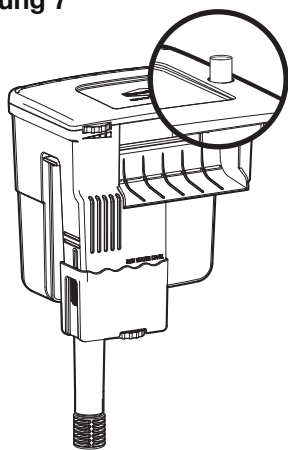
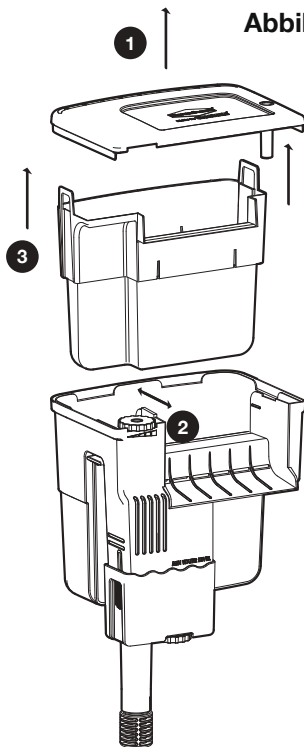


Abbildung 8



WARTUNG

Drehen Sie die Abdeckung um (Abb. 9-A) und setzen Sie den Filtermodulkorb in die Schlitze der Abdeckung (1). Sie können nun den Filtermodulkorb zu einem Reinigungsbereich tragen, ohne Wasser zu verschütten oder zu tropfen.

Entfernen Sie die Tasche mit dem biologischen Matrix™ Modul, jegliche chemische Filtrationsmodule und den unteren Filterschwamm (Abb. 9-B).

Spülen Sie den unteren Filterschwamm gründlich aus. Benutzen Sie keine Seife oder Reinigungsmittel, da diese den Bewohnern des Aquariums schaden können. Reinigen oder ersetzen Sie jegliche chemischen Filtrationsmodule wenn nötig. Ersatz-Filtrationspacks, die speziell für Tidal™ Filtereinheiten (Matrix™, MatrixCarbon™ und Zeolite) hergestellt wurden, sind separat erhältlich.

Die Tasche mit dem biologischen Matrix™ Modul enthält Bakterien, die wichtig für die Aquariumsumgebung sind. Erlauben Sie dem Modul nicht auszutrocknen. Das Modul kann vorsichtig in einem Behälter mit etwas Wasser aus dem Aquarium gereinigt werden, um eine Schleimschicht, die sich möglicherweise nach einer Zeit dort absetzt, zu entfernen. Wenn Sie das Matrix™ ersetzen möchten, ist es ratsam, nicht mehr als die Hälfte des Moduls gleichzeitig zu ersetzen, um die Bakterienkultur zu schützen, die eine stabile Aquariumsumgebung gewährleistet. An dieser Stelle empfehlen wir, das Aquarium mit Seachem Stability™ zu neu auszusäen. Spülen Sie den Filtermodulkorb ab. Bauen Sie alle Module und Komponenten in umgekehrter Reihenfolge wieder zusammen.

Abbildung 9-A

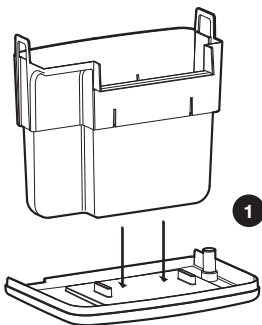
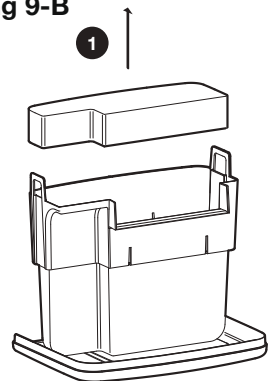


Abbildung 9-B



Wenn der Filter beginnt, an der rechten Seite der Rücklaufwand zu tropfen (Abb. 10), bedeutet dies, dass der Filtermodulkorb komplett verstopft ist. In diesem Fall läuft das Wasser an dem Filtermodul vorbei und eine gründliche Reinigung ist vonnöten, um die allgemeine Gesundheit des Aquariums beizubehalten.

Abbildung 10

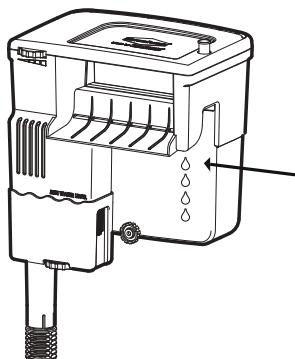
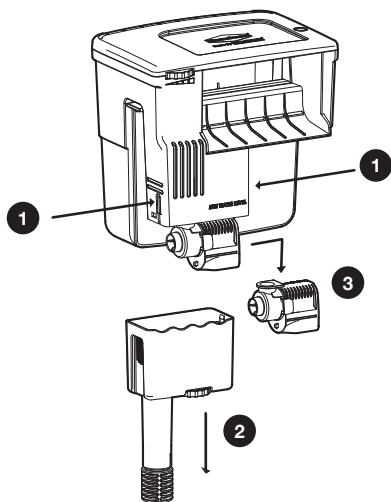
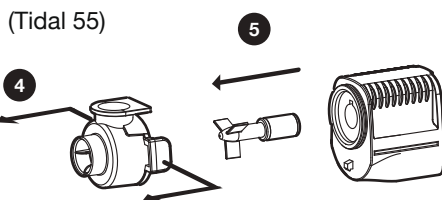


Abbildung 11-A



Um die Pumpe zu warten, gehen Sie wie folgt vor (Abb. 11): Drücken Sie auf die Seite des Filters (1), ziehen Sie das Pumpengehäuse nach unten (2), ziehen Sie das Netzkabel des Filtergehäuses und drücken Sie die Pumpe nach rechts bis sie klickt und sich löst (3). Für Tidal 55 Einheiten, ziehen Sie vorsichtig die Zustromabdeckung der Pumpe (4. Abb. 11-B) weg. So wird das Laufrad freigelegt.

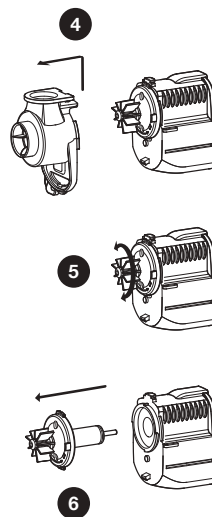
Abbildung 11-B



Für Tidal 75 und 110 Einheiten, ziehen Sie die obere Klammer der Laufradabdeckung nach oben und nach hinten (4, Abb. 11-C). Drehen Sie die Basis des Laufrads gegen den Uhrzeigersinn, um sie zu entsperren (5) und ziehen Sie es aus seinem Gehäuse hinaus (6).

Abbildung 11-C

(Tidal 75 & 110)



Waschen Sie das Laufrad gründlich, um abgelagerten Schleim oder Schuppen zu entfernen. Benutzen Sie keine Seife oder Reinigungsmittel. Wenn gewünscht, kann eine verdünnte Lösung aus Essig und Wasser verwendet werden, um abgelagerten Schleim oder Schuppen zu entfernen.

Setzen Sie nach der Reinigung das Laufrad wieder ein und stellen Sie sicher, dass es sich frei um den Schaft bewegen kann und setzen Sie die Zustrom-Abdeckung der Pumpe wieder auf. Montieren Sie die verbleibenden Komponenten in umgekehrter Reihenfolge. Schuppen- und Kalkablagerungen sowie die natürliche Abnutzung der Komponenten können möglicherweise die Lautlosigkeit der Pumpe verringern. Jedoch beeinflussen sie die korrekte Funktion des Filters nicht. In diesem Fall ist es ratsam, das Laufrad zu ersetzen, um wieder einen geräuschlosen Betrieb zu gewährleisten.

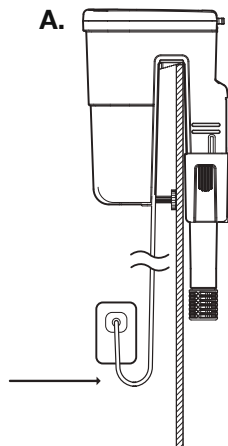
BELANGRIJKE VEILIGHEIDSINSTRUCTIES

ADVERTENCIA: Para evitar lesiones, se deben tomar precauciones básicas de seguridad, incluyendo las siguientes normas de seguridad:

TIDAL FILTER met zijn vele gebruiksmogelijkheden is conform de nationale en internationale veiligheidsnormen.

LEES EN VOLG ALLE VEILIGHEIDSVOORSCHRIFTEN

1. Controleer of de op het etiket van het filter aangeduide spanning overeenkomt met de spanning van het net. Het apparaat dient gevoed te worden door middel van een differentiële schakelaar (levenbeschermers) waarvan de nominale stroom lager of gelijk is aan 30mA.
2. Het filter mag niet in werking worden gesteld zonder water om schade aan de motor te voorkomen.
3. Alvorens het apparaat op het net aan te sluiten, controleer of de kabel en/of het filter beschadigd zijn.
4. Het filter is vervaardigd met een verbinding van het type Z. De kabel en de stekker kunnen niet vervangen of gerepareerd worden; Bij beschadiging dient het hele apparaat vervangen te worden.
5. Alvorens het apparaat op het net aan te sluiten, controleer of de kabel en/of het filter beschadigd zijn.
6. Het filter mag niet worden gebruikt in vloeistoffen of in een omgeving met een temperatuur hoger dan 35°; / 95 °F).
7. Gebruik het filter niet voor andere doeleinden dan waarvoor het filter is ontworpen zoals in badkamers of dergelijke toepassingen;
8. Laat het apparaat niet functioneren met uitbijtende- of wegvretendemiddelen.
9. Dit apparaat is niet ontworpen om gebruikt te worden door personen (inclusief kinderen) met gereduceerde fysieke, zinnelijke en geestelijke capaciteiten, tenzij deze begeleid zijn door verantwoordelijke personen die zorg dragen voor hun veiligheid.
10. Om te voorkomen dat druppels de stekker of het stopcontact nat maken, realiseer met de kabel een lus onder het niveau van het stopcontact (Afb.A).
11. Dit apparaat niet optillen middels de voedingskabel tijdens de installatie en het onderhoud.
12. Het filter moet alleen gebruikt worden voor de hierboven genoemde applicaties en is uitsluitend bestemd voor intern gebruik.



GOOI DEZE INSTRUCTIES NIET WEG

AANWIJZINGEN VOOR EEN JUISTE AFVOER VAN HET PRODUCT VOLGENS DE EUROPESE RICHTLIJN 2002/96/EC

Aan het einde van zijn bruikbaarheidsduur, mag het product niet samen met het gemeentelijk afval worden afgevoerd. Het kan worden afgegeven bij de speciale gemeentelijke centra voor gescheiden afvalinzameling of bij verkopers die deze service aanbieden. Door huishoudelijke apparaten gescheiden te verwerken, kunnen mogelijk negatieve gevolgen voor het milieu en de gezondheid door een onjuiste verwerking worden vermeden en kunnen de materialen waaruit het bestaat worden teruggewonnen voor een aanzienlijke besparing van energie en bronnen.

BEPERKTE GARANTIE

Seachem garandeert dit product (zie hieronder uitsluitingen) voor de oorspronkelijke koper tegen defecten van materialen en afwerking voor een periode van drie (3) jaar vanaf de oorspronkelijke datum van aankoop, en kan worden verlengd met nog eens twee (2) jaar met de registratie van het product op www.seachem.com; Deze voorwaarden zijn geldig met uitzondering van de rotor van de pomp, die wordt gegarandeerd voor een periode van zes (6) maanden. Deze garantie is beperkt tot reparatie of vervanging (naar keuze Seachem's) van defecte aan het product en doet geen betrekking op het verlies van het aquarium leven, persoonlijk letsel, verlies van eigendom, of schade die voortvloeit uit het gebruik van het product. U moet beschikken over het originele aankoopbewijs om de garantie te valideren. Elke garantie is afzonderlijk, en is geen aanvulling op eventuele minimale garantietermijnen opgericht of toepasselijke wetgeving .

Garantie claims moeten online worden ingediend bij www.seachem.com door de oorspronkelijke koper die in het bezit moet zijn van het bewijs van aankoop op het moment van indiening. De koper moet een "Return Merchandise Authorization" aanvragen voordat u het product indient voor garantie of technische service. De koper is verantwoordelijk voor de transport kosten van en naar het service center of reparatie punt.

UITSLUITINGEN. Deze garantie geldt niet in de volgende situaties: * Schade als gevolg van een ongeluk, verkeerd gebruik, misbruik, gebrek aan redelijke zorg, ongewoon gebruik van het product, met behulp van het project in abnormale werkomstandigheden of andere storingen die niet het gevolg van gebreken in materialen of vakmanschap. * Schade als gevolg van de wijziging, vervalsen of pogingen tot reparatie door iemand anders dan door Seachem zijn aangewezen. * Overdracht van het product naar andere dan de oorspronkelijke koper. * Het product geven aan een elektrische dienst die niet staat aangegeven op de verpakking; de oorspronkelijke koper is verantwoordelijk voor het leveren van adequate elektrische installaties.

UITSLUITING SCHADE EN BEPERKING VAN IMPLICIETE GARANTIES

Uw enige en exclusieve remedie is om het product ter reparatie of vervanging, zoals bepaald in deze garantie. Het bedrijf aanvaardt geen enkele aansprakelijkheid voor incidentele en gevolgschade door schending van enige expliciete of impliciete garantie of voorwaarden, met inbegrip van de impliciete garanties of voorwaarden van verkoopbaarheid, handelskwaliteit, geschiktheid voor een bepaald doel of van voldoende kwaliteit met betrekking tot dit product. Dit schrijven vormt de volledige garantie instemming van de partijen met betrekking tot het onderwerp ervan, geen vrijstelling of wijziging geldig, tenzij schriftelijk ondertekend door Seachem. Elke impliciete garanties hierin zijn beperkt tot één jaar of de kortste toegestaan door de wet van uw jurisdictie periode

INTRODUCTIE

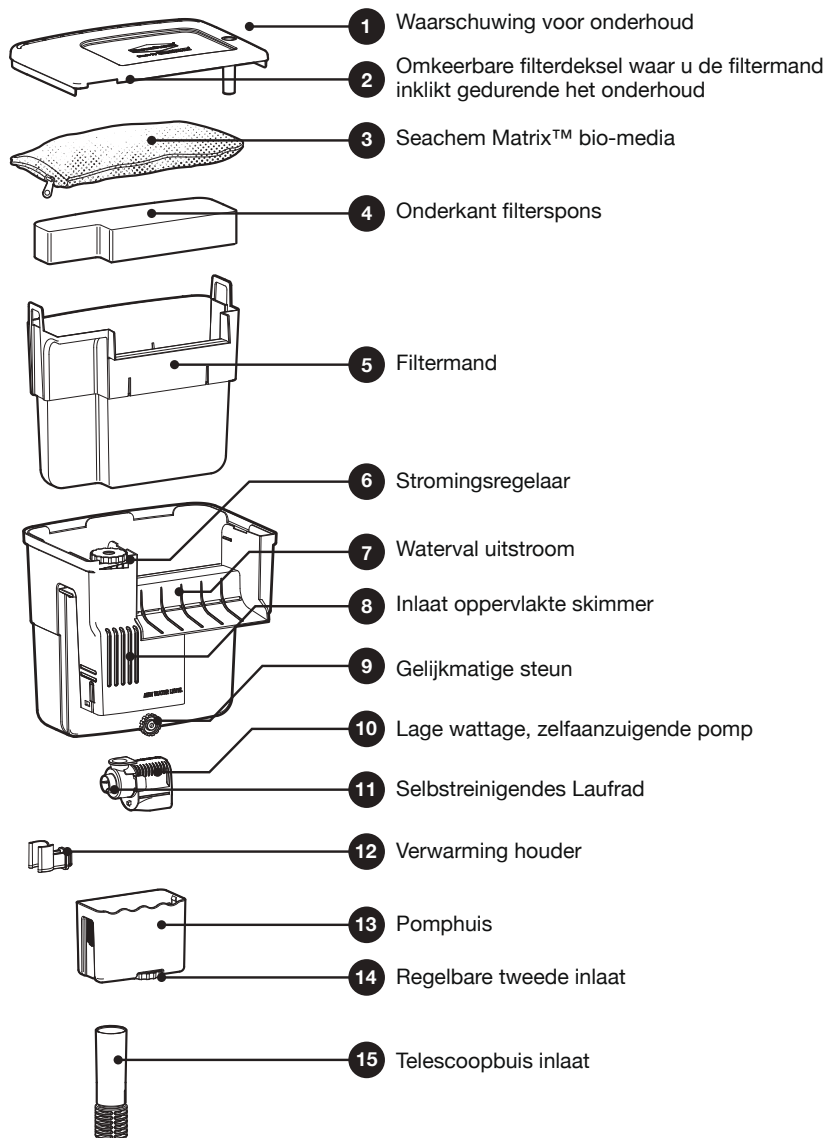
Gefeliciteerd met de aankoop van uw nieuwe Seachem Tidal™ hang on filter. U kunt volledig vertrouwen dat u heeft geïnvesteerd in een goed ontworpen premium filter die uw aquarium schoon en gezond doet houden met een minimum aan onderhoud voor de komende jaren. De Seachem Tidal™ lijn is ontworpen en speciaal gemaakt voor Seachem door Sicce in Italië om u van de hoogste kwaliteit en topprestaties te verzekeren.

Kenmerken

1. Lage wattage maar hoge stroming zorgen voor energiebesparing maar met uitstekende circulatie.
2. Stille werking zelfs in het stilste thuis of op kantoor te gebruiken.
3. 3.Zelfaanzuigende pomp zorgt voor een betrouwbare en gemakkelijke opstart.
4. Weinig en gemakkelijk onderhoud voor een langdurige aquaristiek.
5. Zelfreinigende rotor vermindert de noodzaak van onderhoud aan de pomp.
6. Geen oxiderende onderdelen en dus geschikt voor gebruik in zoet of zout water aquariu.ms
7. Extreem hoge capaciteit filtermand, geschikt voor vrijwel elke filter media.
8. Inclusief Seachem Matri™ bio-media verwijdert volledig ammoniak, nitriet en nitraat
9. Uitneembare filter mand zorgt voor eenvoudig reinigen op afstand.
10. Filter deksel fungeert als een veilige tray voor de filtermand om druppels te voorkomen tijdens het schoonmaken op afstand.
11. Ventilatie slots verbeteren de luchtstroom en gasuitwisseling.
12. Compressie profiel vermindert de interferentie met aquarium plaatsing.
13. Gelijkmatige steun zorgt voor een exacte positionering op aquariumglas.
14. Oppervlakte skimmer trekt drijvend organisch afval aan van het wateroppervlak.
15. Regelbare stroming zorgt voor veelzijdig gebruik in diverse aquarium omgevingen.
16. Regelbare inlaat voor wateroppervlak versus diepte zorgt voor focus op specifieke gefilterd gebied.
17. Telescoopbuis zorgt voor een inlaat op elke diepte.
18. Verwarming houder clip zorgt voor een veilige bevestiging en verdeelt de warmte door de stroming.
19. Waterval uitstroom voor extra beluchting en zuurstof in het aquarium.
20. Onderhoud waarschuwing geeft aan wanneer de filtermand moet worden gereinigd.

Simpel gezegd, je hebt de beste hang on filter gekocht die beschikbaar is. Dank u.

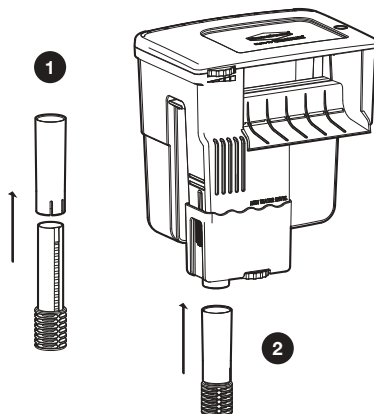
ONDERDELEN CHECKLIST



MONTAGE EN OPSTART

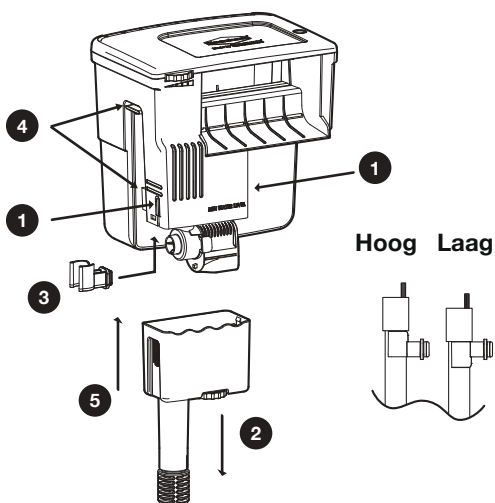
Steek de onderste helft van de inlaat buis in de bovenste helft. Plaats de telescoopbuis inlaat op het pomphuis. (Afb 1)

Afbeelding 1



Als u een verwarming wenst te bevestigen op het filter (Afb 2), drukt u op de zijkanten van het filter (1), beweeg het pomphuis naar onder (2), schuif de verwarming houder vanaf onder in de behuizing (3). De verwarming houder kunt u naar boven of naar beneden bewegen afhankelijk van de gewenste positie van de verwarming. Bevestig de kabel van de pomp eerst in de geleiders (4) voordat u de behuizing van de pomp doet terug plaatsen (5).

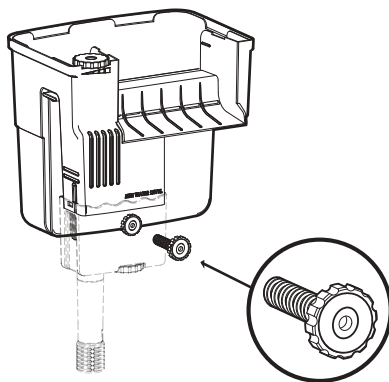
Afbeelding 2



MONTAGE UND INBETRIEBSETZUNG

Schroef de gelijkmatige steun in de bodem van het filterhuis, daarna kunt u hem hangen op de gewenste plaats. (Afb 3)

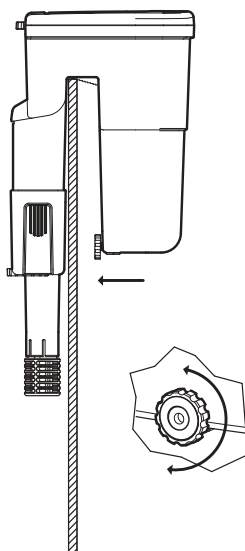
Afbeelding 3



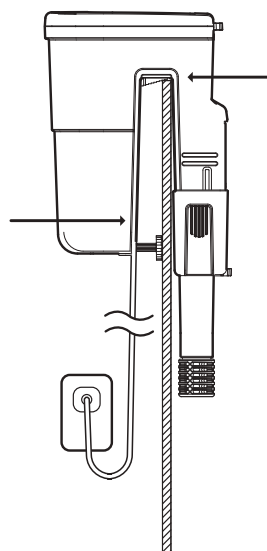
Plaats het filter op de aquarium rand (Afb. 4-A) en stel de gelijkmatige steun in door de schroef in of uit te schroeven totdat het filter de juiste hoogte van het aquarium bereikt.

Plaats de pomp zoals weergegeven in (Afb 4-B) en voer de kabel naar de uitlaat waarna u het beste een lus kunt maken zoals aangegeven in de veiligheidsvoorschriften en in Afb 4-B.

Afbeelding 4-A



Afbeelding 4-B



HET VULLEN VAN DE FILTERMAND

Verwijder alle plastic zakken met filter media voorafgaand aan het starten van het filter. Alle Tidal™ filters zijn ontworpen voor ieder type filtermateriaal. In het algemeen worden er drie typen filtratie gebruikt in de meeste aquaria - mechanische, chemische en biologische.

Mechanische filtratie omvat media dat het afval direct doet verwijderen uit het filter. Chemische filtratie omvat media, die de chemisch opgeloste stoffen uit het water doet verwijderen. Biologische filtratie zorgt voor een huisvesting vangoede bacteriën om te groeien en een afbraak van organisch afval.

Alle Tidal™ Filters zijn voorzien van een bodem filter spons voor de mechanische filtratie, Matrix™ bio media voor een uitzonderlijke biologische filtratie en er zijn verschillende chemische filtratie mogelijkheden voor vele verschillende doeleinden en verschillende aquarium omgevingen. Seachem's MatrixCarbon™ is een voorkeursoptie in bijna elke aquarium

opstart. Matrix Carbon™ is beschikbaar in voorgepakte zakken voor elke grootte Tidal™ Filter.

Spoel de spons en alle filter media onder stromend water schoon voordat u ze in de filtermand doet. Plaats de media met de filterspons op de bodem, dan de chemische filtratie media zoals MatrixCarbon™ en tenslotte de Matrix™ biologische media. Haal de Matrix™ niet uit zijn netje. Het netje wordt verpakt omgevouwen; leg het in de lengte en verdeel Matrix™ gelijkmatig voordat u het in de filtermand plaatst. Voor een sneller resultaat kunt u ook bacteriën toevoegen aan Matrix™, zoals bijvoorbeeld Seachem's Stability™. De interne filtermand voorkomt dat er water bypass en zorgt voor een snelle verwijdering bij het schoonmaken van de filterspons en de overige media. Voorkom interfereren van de stroming door de filtermand niet te vol met media te doen. Een indicatie hiervan kunt u zien aan de rechterkant van de uitstroom, op het moment dat er druppels uitkomen (Afb 10, blz 87) .

Afb 5: Lagen Filter Media (van beneden naar boven)

1

Mechanisch
(Filterspons)

2

Chemisch
(MatrixCarbon)

3

Biologisch
(Matrix)

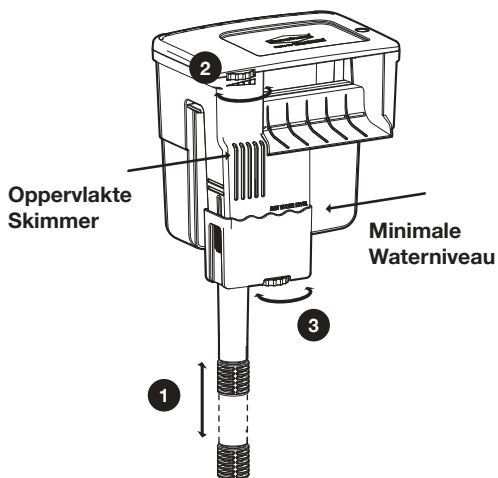
STARTEN VAN HET FILTER

Na de montage en installatie van de Tidal™ Filter op een gevuld aquarium sluit u het netsnoer aan in het beoogde stopcontact. Het filter is zelf-startend en zal dus onmiddellijk beginnen met het filteren van het water. Pas de drie mogelijke instellingen toe op basis van u voorkeuren en behoeften (Afb 6):

1. Maak de telescoopbuis van de inlaat langer of korter tot de gewenste diepte in uw aquarium.
2. Regel de stroming door het filter. Pas de prestaties aan voor u specifieke aquarium volume, type, of gewenste omgeving voor de vis die meer of minder water beweging of zuurstof wenst. Deze functie biedt tot 80% reductie van de maximale stroming gedurende het continu volledig gebruik van de filter motor. Een langzamere stroming zorgt ervoor dat het water langer aanwezig is in de filter media en verhoogd dus de filtratie prestaties.
3. Regel de hoeveelheid water van de inlaat oppervlak vs. de telescoop inlaat.

Het minimale waterniveau in het aquarium mag niet onder de “Minimum Water Level” markering komen. Een lagerniveau kan de doorstroming van het water stoppen en schade aan de pomp veroorzaken - het is niet toegestaan om de pomp te laten drooglopen. Er is geen maximum waterniveau hoewel het wordt aanbevolen dat het niveau de hoogte van de van de inlaat oppervlakte skimmer slots niet doet overschrijden.

Afbeelding 6



ONDERHOUD

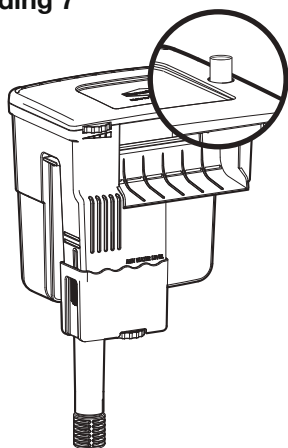
LET OP: Voordat u overgaat op enig onderhoud aan de Tidal™ Filter, verwijder dan eerst de stekker uit het stopcontact.

Tidal™ filters zijn gemaakt voor een uitstekende werking met weinig onderhoud te bieden. Echter, regelmatig onderhoud helpt bij de algemene gezondheid en het welzijn van het aquarium. De waarschuwing voor onderhoud biedt een uitstekend signaal om routine-onderhoud uit te voeren aan de Tidal™ Filter. De waarschuwing voor onderhoud geeft aan dat de stroming niet in staat is om vrij door de filter media te verplaatsen.

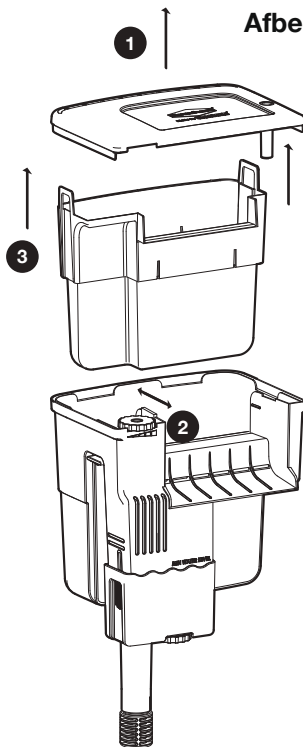
Wanneer de waarschuwing voor onderhoud signalering boven de filterdeksel tot ongeveer ½ “en 1 cm (Afb 7), is het tijd om het filter te reinigen.

Het reinigen van het filter (Afb 8) til het deksel op (1), schuif de blauwe filterhouder vergrendeling (2) naar de voorkant van het filter en verwijder de filtermand door te trekken aan de beide handgrepen (3).

Afbeelding 7



Afbeelding 8



ONDERHOUD

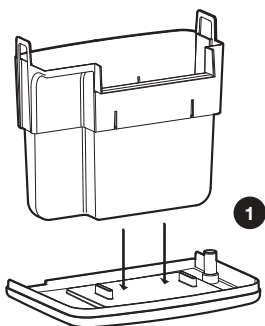
Draai het deksel om (Afb 9-A) en plaats de filtermand in de sleuven op het deksel (1). U kunt deze nu dragen naar een ruimte voor het schoonmaken zonder te morsen of druppels van water.

Verwijder de zak van Matrix™ biologische media, chemische filtratie media en de onderkant filter spons. (Afb 9-B)

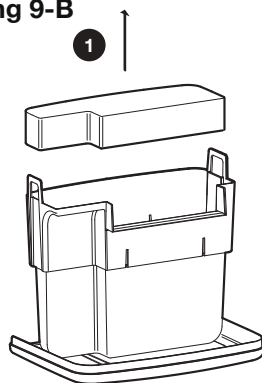
Spoel de onderkant filter spons grondig. Gebruik geen zeep of detergents, aangezien deze de aquariumbewoners kunnen schaden. Spoel ook de chemische filtratie media als dat nodig is. Vervang de speciaal ontworpen voor Tidal™ Filter Matrix™, MatrixCarbon™, en Zeolite deze worden afzonderlijk verkocht.

De zakken van Matrix™ biologische media bevat belangrijke bacteriën voor de stabiliteit van het aquarium milieu. Laat de media niet uit drogen. De media kunnen voorzichtig worden gespoeld in een bak met wat water uit het aquarium dit om de slijm coating die aanwezig kan zijn op het materiaal in de loop der tijd te verwijderen. Als de Matrix™ -media wordt vervangen is het raadzaam om niet meer dan de helft te vervangen, dit om de bacteriecultuur die zorgt voor een stabiele aquarium milieu te handhaven. Op dit moment suggeren wij om opnieuw Seachem Stability™ aan het aquarium toe te voegen. Spoel de filtermand en plaats daarna de media en alle onderdelen in omgekeerde volgorde.

Afbeelding 9-A

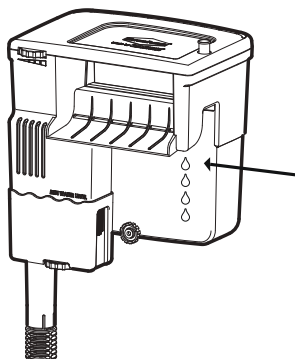


Afbeelding 9-B

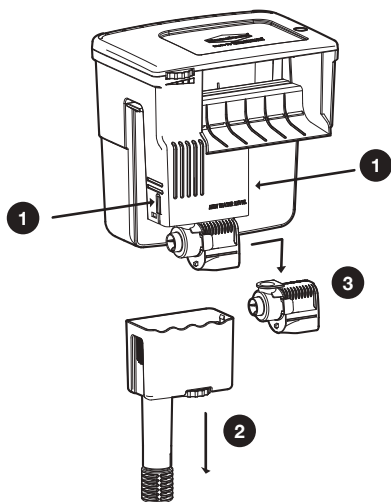


Op het moment dat de filter start met druppelen aan de rechterzijde (Afb 10) of de stroming van de waterval loopt terug, is het een indicatie dat de filtermand compleet vol is. Op dit moment is het water bypassing de filter media en moet u de filter schoonmaken dit is belangrijk voor een gezond aquarium.

Afbeelding 10

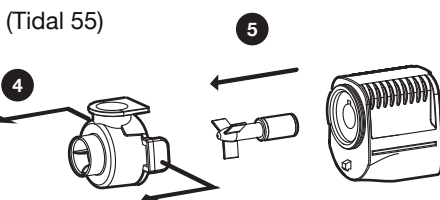


Afbeelding 11-A



Om de pomp te onderhouden, gaat u als volgt te werk (Afb 11): Druk op de zijkant van het filter (1), trek dan het pomphuis omlaag (2), haal de stekker uit het filter en duw de pomp naar rechts totdat het klikt en loslaat (3). Voor Tidal 55, trek de voorkant van de pomp (4, Afb 11-B). Hierdoor wordt de rotor (5) zichtbaar.

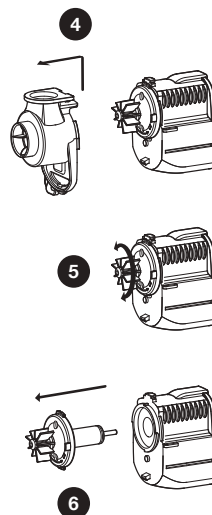
Afbeelding 11-B



Voor Tidal 75 en 110, trek en beweeg terug de top clip van de voorkant (4, Afb 11-C). Draai de basis van de rotor tegen de klok in om het te (5) ontgrendelen en trek deze dan uit het pomphuis (6).

Afbeelding 11-C

(Tidal 75 & 110)



Spoel de rotor grondig af om eventueel vuil en slijm te verwijderen. Gebruik geen zeep of wasmiddel. Indien gewenst kan een verdunde oplossing van azijn en water worden gebruikt voor het verwijderen van mogelijke kalkaanslag.

Na het schoonmaken, plaatst u de rotor terug maar zorg ervoor dat deze vrij kan draaien rond de as en plaats de voorkant van de pomp terug. Monteer overige onderdelen in omgekeerde volgorde. Kalkaanslag en de natuurlijke slijtage van de componenten kan leiden tot een minder stille werking van de pomp. Echter, hebben ze geen invloed op de goede werking van het filter. Mocht u wederom een compleet stil filter wensen, is het raadzaam om de rotor te vervangen. die korrekte Funktion des Filters nicht. In diesem Fall ist es ratsam, das Laufrad zu ersetzen, um wieder einen geräuschlosen Betrieb zu gewährleisten.

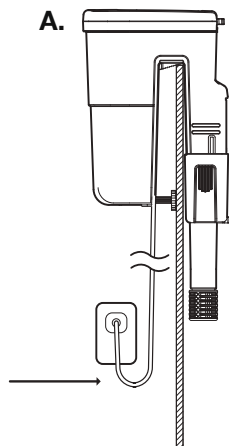
ИНСТРУКЦИИ ПО БЕЗОПАСНОСТИ

ВНИМАНИЕ: Во время работы с электрическими приборами/сетями необходимо придерживаться общих правил безопасности для предотвращения нанесения травм, включая изложенные ниже:

ФИЛЬТРЫ TIDAL изготовлены в соответствии с национальными и международным нормами безопасности.

ВНИМАТЕЛЬНО ОЗНАКОМЬТЕСЬ И ВЫПОЛНЯЙТЕ СЛЕДУЮЩИЕ ПРАВИЛА БЕЗОПАСНОСТИ

1. Проверьте напряжение, указанное на ярлыке насоса, которое должно соответствовать напряжению сети. Питание прибора должно осуществляться посредством дифференциального выключателя (УЗО) с номинальным током, значение которого соответствует или ниже 30 мА.
2. Запрещена эксплуатация работы насоса всухую во избежание нанесения повреждений двигателю.
3. Перед подключением насоса к электрической сети, убедитесь, что кабель и насос не повреждены.
4. Насос состоит из “Z”-образных соединений. Кабель и штепсельная вилка не подлежат замене и/или ремонту; в случае их повреждения необходимо заменить прибор.
5. Перед подключением насоса к электрической сети убедитесь, что кабель и насос не повреждены.
6. Запрещено использовать фильтр в помещениях или в жидкостях, температура которых превышает 35 °C / 95 °F.
7. Не используйте прибор в целях, отличающихся от указанных производителем, например в ванных комнатах и другое.
8. Не используйте фильтр в разъедающих и абразивных жидкостях.
9. Данный прибор не предназначен для эксплуатации лицами (включая детей) с ограниченными физическими или умственными способностями без сопровождения лиц, отвечающих за их безопасность.
10. Чтобы избежать попадания случайных капель на штепсель или в розетку, сделайте петлю из шнура ниже уровня розетки (рис. А).
11. Не допускайте отключения фильтра от кабеля питания во время установки и обслуживания прибора.
12. Фильтр может быть использован исключительно в указанных выше случаях и исключительно в закрытых помещениях если он оснащен биполярным кабелем.



ИНСТРУКЦИЯ ПО УТИЛИЗАЦИИ ПРОДУКЦИИ В СООТВЕТСТВИИ С ДИРЕКТИВОЙ ЕС 2002/96/ЕС

После окончания срока эксплуатации прибора не утилизируйте его вместе с городскими отходами. Устройство должно быть утилизировано в специально предназначенных для этого пунктах сбора при муниципалитете города или при пунктах продажи, предоставляющих эту услугу. Утилизация бытовых приборов в специальных пунктах сбора позволяет избежать негативных последствий для окружающей среды и здоровья населения, реутилизировать материалы и сэкономить энергетические ресурсы..

ОГРАНИЧЕНИЕ ГАРАНТИЙНЫХ ОБЯЗАТЕЛЬСТВ

Компания Seachem предоставляет гарантию на этот продукт (смотрите изложенные ниже ИСКЛЮЧЕНИЯ) непосредственному покупателю, касающуюся дефектов материалов и производства сроком на три (3) года от даты приобретения продукта с возможностью её продления на два (2) года посредством регистрации продукта на сайте www.seachem.com; гарантия распространяется на все части продукта, за исключением рабочего колеса насоса, срок гарантии на который составляет 6 месяцев. Гарантийное обслуживание ограничивается ремонтом или заменой (исключительно с согласия Seachem) бракованного устройства и не распространяется на утечку воды из аквариума, нанесение личных повреждений, ущерба или убытков, касающихся эксплуатации продукта. Для использования гарантийных условий необходимо сохранять документ, подтверждающий покупку продукта. Гарантия входит в силу одновременно, и не дополнительно, с минимальными периодами гарантии, предусмотренными действующим законодательством. Запрос на гарантийное обслуживание должен быть заполнен прямым покупателем онлайн на сайте компании www.seachem.com с одновременным предоставлением документа, подтверждающим покупку продукта. Лицо, запрашивающее гарантийное обслуживание продукта должно получить разрешение на возврат/замену продукта "RMA" до момента его отправления на замену или ремонт. Покупатель несёт затраты по отправке на/из офиса сервисного обслуживания или ремонтной мастерской.

ИСКЛЮЧЕНИЯ. Эта гарантия не распространяется на: *Нанесение случайных повреждений, эксплуатацию не по назначению, злоупотребление, отсутствие ухода, использование устройства не по его назначению, используя проект аномальных условий работы или другие повреждения, не имеющие отношение к дефектам материалов или производства.* *Повреждения, вследствие внесения изменений, правок или попыток ремонта прибора лицами, не являющимися персоналом компании Seachem или уполномоченными ею.* *Передача продукта лицу, не являющемуся прямым покупателем продукта.* *Подключение продукта к электрической сети способом, отличающимся от указанного в инструкции; прямой покупатель продукта должен позаботиться о соответствии электрической системы*.

ОГРАНИЧЕНИЕ ГАРАНТИЙНЫХ ОБЯЗАТЕЛЬСТВ И ПОВРЕЖДЕНИЯ, НА КОТОРЫЕ ГАРАНТИЯ НЕ РАСПРОСТРАНЯЕТСЯ

Согласно ограничениям настоящей гарантии возможно только отремонтировать или заменить продукт. Компания не несет ответственность за причинение случайных и логических повреждений с целью нарушения гарантии или изложенных или подразумеваемых в ней условий, включая вытекающие из общего смысла гарантии или коммерческие условия, а также за коммерческие качества, пригодность для особого применения или удовлетворительное качество по сравнению с этим продуктом. Этот документ является полным соглашением по гарантийным обязательствам сторон в соответствии с предметом настоящего документа; любой отказ или внесенные изменения не являются действительными без письменного и заверенного разрешения компании Seachem. Все гарантии, исходящие из этого документа ограничиваются одним календарным годом или более коротким сроком в соответствии с законодательством вашей страны.

ВВЕДЕНИЕ

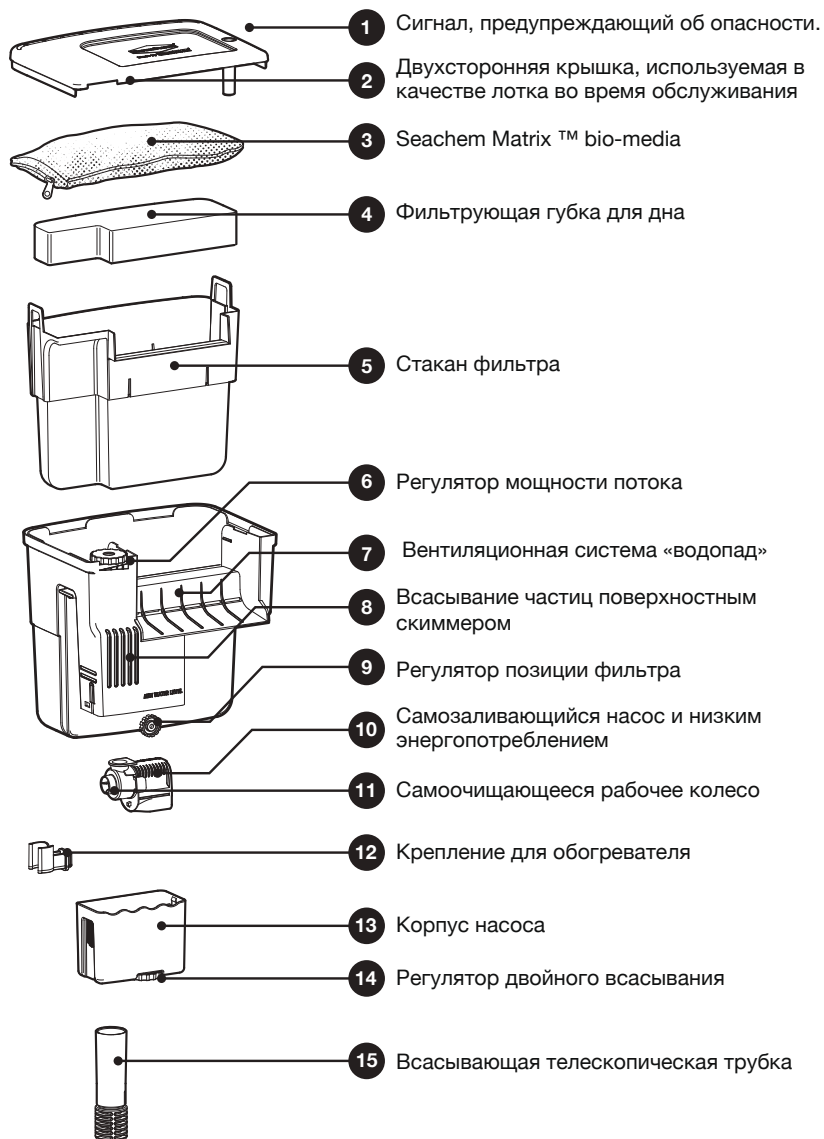
Поздравляем вас с покупкой нового подвесного фильтра Seachem Tidal™. Мы можем с уверенностью утверждать, что вы приобрели фильтр высокого качества, безупречно разработанный, который будет поддерживать чистоту и здоровье вашего аквариума на протяжении длительного периода времени с минимальными затратами на обслуживание. Линия фильтров Seachem Tidal™ была разработана и изготовлена для Seachem компанией Sicse (Италия), что гарантирует высочайшее качество продукта и его эксплуатационных характеристик.

Характеристики

1. Низкое энергопотребление при обильном потоке обеспечивает хорошую циркуляцию воды и экономию электроэнергии.
2. Бесшумная работа фильтра позволяет его эксплуатацию в домашних и офисных помещениях.
3. Самозаливающийся насос обеспечивает простую и надежную установку прибора.
4. Минимальное обслуживание упрощает уход за аквариумом.
5. Самоочищающееся рабочее колесо значительно упрощает уход за насосом.
6. Не подвергающиеся коррозии рабочие части позволяют устанавливать фильтр в морской и пресной воде.
7. Объемный стакан фильтра позволяет использование любого фильтрующего материала
8. Seachem Matrix™ bio-media необходим для полного удаления аммиака, нитритов и нитратов.
9. Съёмный стакан фильтра упрощает его очистку.
10. Крышка двойного назначения необходима для полноценной очистки стакана фильтра во время обслуживания.
11. Система «водопад» позволяет осуществлять экстр. аэрацию аквариума.
12. Компактность прибора позволяет установить его в аквариумах любой формы.
13. Специальный фиксатор позволяет осуществлять точную установку фильтра на стенке аквариума.
14. Поверхностный скиммер осуществляет сбор органических веществ, очищая поверхность аквариума.
15. Регуляция потока воды обеспечивает универсальность использования фильтра для разных потребностей аквариума.
16. Двойная аспирация поверхности или дна обеспечивает тщательную очистку определенного участка аквариума.
17. Регулируемая телескопическая трубка осуществляет всасывание частиц на любой глубине.
18. Крепежные клипсы обогревателя обеспечивают равномерное распределение тепла посредством течения воды, создаваемом фильтром.
19. Аэрационные вырезы стенок рециркуляции воды осуществляют увеличение окислительно-восстановительного потенциала и аэрации аквариума.
20. Индикатор технического обслуживания указывает на необходимость осуществления очистки стакана фильтра.

Всё это говорит о том, что Вы приобрели наилучший, имеющийся на рынке, фильтр! Благодарим Вас!

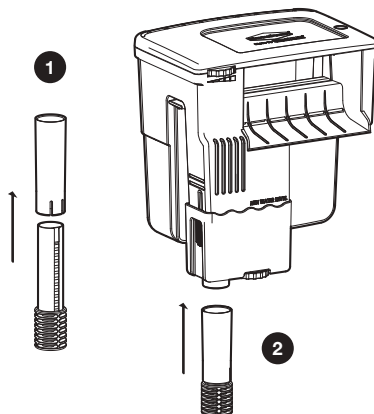
СПИСОК КОМПЛЕКТУЮЩИХ



СБОРКА И ПОДКЛЮЧЕНИЕ

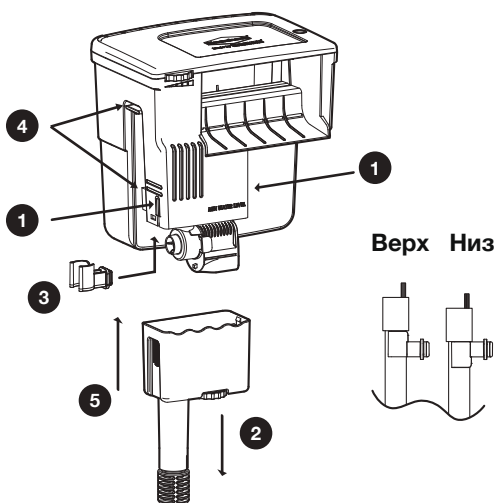
Соедините две части
телескопической трубы.
Прикрепите телескопическую
трубку к корпусу насоса
(Рис.1)

Рисунок 1



Если вам необходимо
подсоединить к фильтру
обогреватель (Рис.2), слегка
нажмите пальцами на края
фильтра (1), слегка потяните
вниз и снимите крышку
(голову) насоса (2), вставьте
крепление обогревателя в
соответствующие пазы (3) и
установите на место крышку
насоса. В зависимости от
необходимости обогрева
крепление обогревателя может
быть осуществлено “лицом
вниз” или “лицом вверх”.

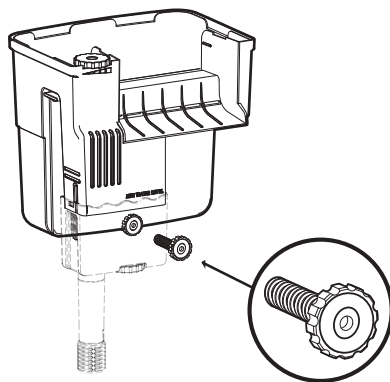
Рисунок 2



СПИСОК КОМПЛЕКТУЮЩИХ

Зафиксируйте регулятор выравнивания фильтра, расположенный в его нижней части, для его подготовки к позиционированию и выравниванию по отношению к уровню воды в аквариуме (Рис.3)

Рисунок 3



Позиционируйте фильтр на краю одной из стенок аквариума (Рис. 4-А) и отрегулируйте регулятором выравнивания его уровень, который должен совпадать с уровнем аквариума. Вставьте кабель насоса в соответствующие направляющие как указано на рисунке (Рис.4-В) и подсоедините его к розетке, согнув предварительно кабель, как указано в инструкции по безопасности и на Рисунке 4-В.

Рисунок 4-А

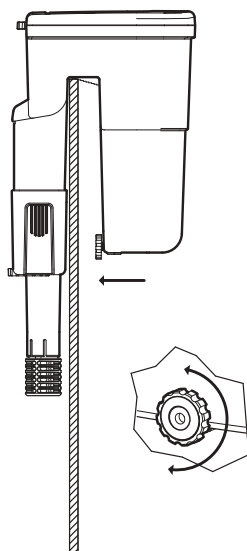
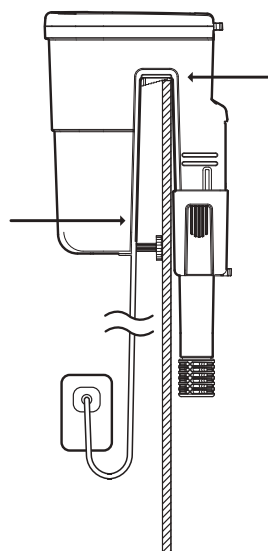


Рисунок 4-В



ПОДГОТОВКА СТАКАНА ФИЛЬТРА

Прежде, чем приступить к запуску фильтра, удалите из ёмкости все полиэтиленовые упаковки, содержащие фильтрующие элементы. Все фильтры TIDAL™ предусматривает использование любого фильтрующего материала. В большинстве аквариумов задействованы только три вида фильтрации: механическая, химическая и биологическая.

Механическая фильтрация предусматривает удаление крупных осадков/частиц посредством фильтрующих материалов. Химическая фильтрация предусматривает химическое удаление растворенных в воде частиц посредством фильтрующих материалов. Биологическая фильтрация создает благоприятные условия для роста аэробных бактерий и предусматривает распределение органических отходов.

Все фильтры TIDAL™ вмещают фильтрующую губку, расположенную на дне фильтра для механической фильтрации и Matrix™ для высокоэффективной биологической фильтрации. Существуют различные решения химической фильтрации, предназначенные для различных целей в зависимости от среды аквариума. Seachem MatrixCarbon™ - это наилучшее решение для аквариумов с различной средой. MatrixCarbon™ соответствует всем моделям фильтров TIDAL™.

Тщательно промойте губку и другие фильтрующие материалы под проточной водой перед помещением их в фильтр. Поместите фильтрующие материалы слоями на губку, расположенную на дне фильтра, после чего выложите материалы для химической фильтрации, например MatrixCarbon™ и последним слоем – материал для биологической фильтрации Matrix™. Не извлекайте Matrix™ из сетки. Аккуратно разложите сетку и равномерно распределите её содержимое до размещения Matrix™ в фильтре. Для ускорения посева бактерий Matrix™ рекомендуем добавить в ваш аквариум Seachem Stability™. Внутренний стакан фильтра предотвращает вращение воды, позволяя быстрое извлечение и очистку губки нижнего фильтра и его наполнителя. Для обеспечения свободного движения воды через фильтр не перегружайте его стакан фильтрующими материалами. В случае перегрузки фильтра активизируется индикатор техобслуживания или возникает каплепадение на стенках рециркуляции воды справа. (Рис. 10, страница 99)

Рис.5: Размещение фильтрующего материала (снизу вверх)



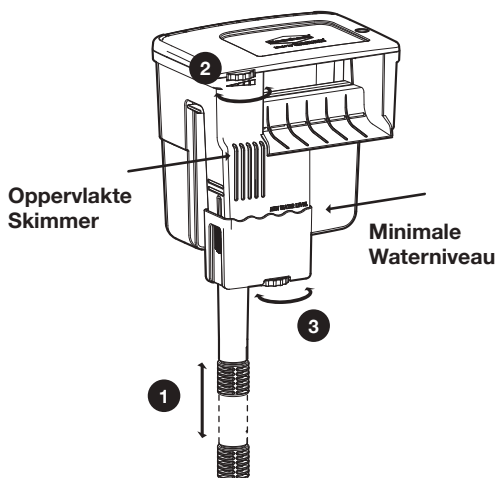
ПОДКЛЮЧЕНИЕ ФИЛЬТРА

После сборки и установки фильтра Tidal™ в аквариуме, наполненном водой и корректно подключенном к сети питания, подключение и запуск работы фильтра осуществляется автоматически. Отрегулируйте три предусмотренные настройки в зависимости от ваших потребностей или предпочтений (Рисунок 6):

1. Поднимите или опустите всасывающее сопло телескопической трубки на необходимую глубину в зависимости от высоты аквариума.
2. Отрегулируйте мощность потока фильтра. Отрегулируйте рабочие характеристики фильтра в зависимости от объёма аквариума, его вида, или же необходимости создания оптимальных условий для жизни рыб (течение воды и насыщение кислородом). Эта настройка позволяет уменьшить максимальную мощность течения на 80%. Когда на момент всасывания сила течения уменьшается, сетка фильтра обеспечивает рециркуляцию воды через фильтрующие материалы, усиливая их фильтрующие качества на протяжении максимального периода времени.
3. Отрегулируйте мощность всасывания с поверхности воды, закрыв сопло всасывания с дна телескопической трубки.

Минимальный уровень воды аквариума не должен быть ниже отметки «Минимальный уровень воды». Более низкий уровень воды может спровоцировать остановку течения воды и повредить насос. Эксплуатация насоса всухую запрещена. Ограничение максимального уровня воды, отсутствует, но мы рекомендуем поддерживать уровень воды, не превышающий отверстия скиммера.

Рисунок 6



ТЕХНИЧЕСКОЕ ОБСЛУЖИВАНИЕ

ВНИМАНИЕ: Прежде, чем приступить к техническому обслуживанию фильтра Tidal™ извлеките штепсельную вилку из розетки электрической сети.

Фильтры Tidal™ обладают высококачественными и эффективными эксплуатационными характеристиками при минимальном обслуживании. Но, регулярное обслуживание прибора значительно улучшит здоровье и благосостояние вашего аквариума. Индикатор технического обслуживания напомнит вам о необходимости осуществления планового обслуживания фильтра Tidal™. Индикатор, напоминающий о необходимости выполнения обслуживания указывает на отсутствие эффективного движения потока воды через фильтрующие материалы

Когда отметка, предупреждающая о необходимости осуществления очистки, превышает крышку фильтра на приблизительно $\frac{1}{2}$ " или 1 см (рисунок 7), необходимо приступить к его очистке.

Для того, чтобы начать очистку фильтра (Рис. 8) необходимо поднять крышку (голову) (1) переместить блок стакана синего фильтра (2) к задней стенке фильтра и извлечь стакан, слегка подняв две боковые ручки (3).

Рисунок 7

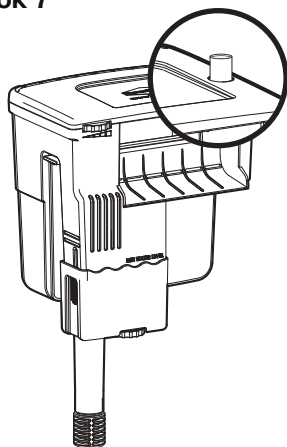
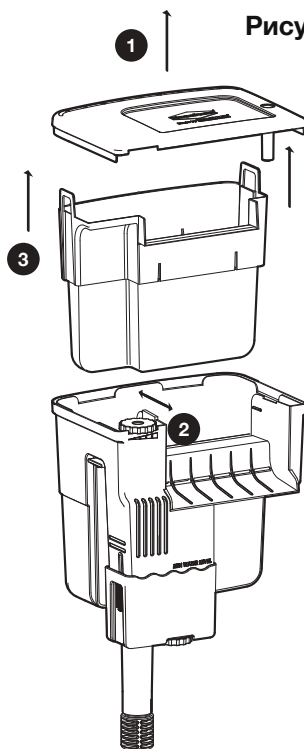


Рисунок 8



ТЕХНИЧЕСКОЕ ОБСЛУЖИВАНИЕ

Переверните верхнюю крышку (голову) (Рисунок 9-А) и зафиксируйте стакан с фильтрующим материалом в отверстиях оборота крышки (1). После чего можете перенести стакан с фильтрующими материалами в зону их очистки, не проливая воду на окружающие поверхности.

Извлеките картридж Matrix™, все материалы химической фильтрации и губку (Рис. 9-В)

Тщательно промойте губку. Не используйте при этом мыло или моющие средства, которые могут нанести вред жителям аквариума. Тщательно промойте или замените все материалы химической фильтрации в случае необходимости. Фильтрующие материалы для замены, специально разработанные и предназначенные для фильтров Tidal™ (Matrix™, MatrixCarbon™, и Zeolite), продаются отдельно.

Содержимое Matrix™ состоит из бактерий, поддерживающих жизненную стабильность вашего аквариума. Материал Matrix™ должен быть всегда влажным, не позволяйте ему высыхать. Для удаления всех видов загрязнений, сформировавшихся со временем, промойте все материалы в специальной ёмкости, наполненной водой аквариума. Если вы хотите заменить фильтрующие материалы, рекомендуем вам заменять не более половины материала во время одной очистки для сохранения бактериальной флоры, которая поддерживает стабильность аквариума. В момент очистки рекомендуем поместить в аквариум продукт Seachem Stability™. Промойте стакан и установите все комплектующие материалы в обратном порядке.

Рисунок 9-А

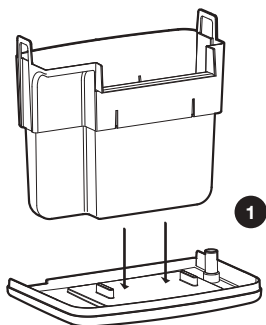
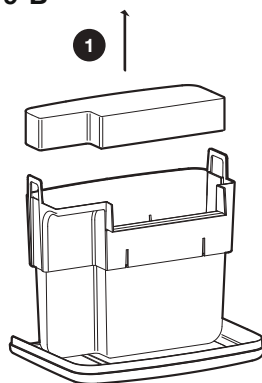


Рисунок 9-В



ТЕХНИЧЕСКОЕ ОБСЛУЖИВАНИЕ

Если с правой стороны стенки рециркуляции наблюдается каплепадение (Рис.10), значит стакан полностью загрязнен. То есть, отсутствует свободное движение воды через фильтрующий материал и необходимо тщательно очистить фильтр для сохранения здоровья аквариума.

Рисунок 10

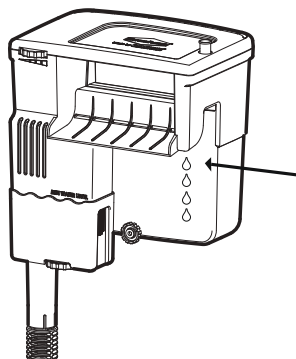
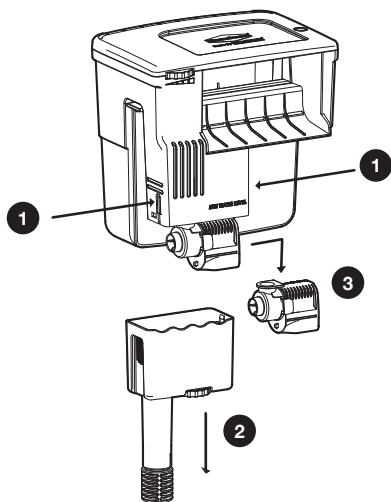
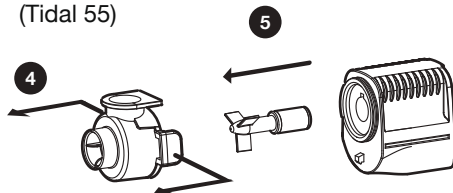


Рисунок 11-А



Для технического обслуживания насоса, следуйте изложенным ниже рекомендациям (Рисунок 11): слегка нажмите пальцами на одну из сторон фильтра (1), наклоните вниз корпус насоса (2), освободите кабель питания из корпуса фильтра и переместите насос вправо (3). Для модели Tidal 55: переместите крышку всасывания насоса (4, Рис.11-В) для освобождения рабочего колеса (5).

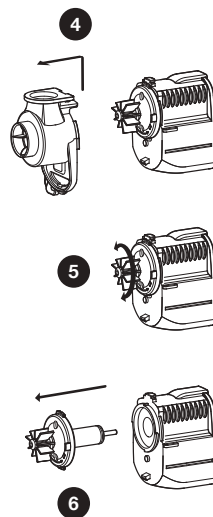
Рисунок 11-В
(Tidal 55)



ТЕХНИЧЕСКОЕ ОБСЛУЖИВАНИЕ

Для моделей Tidal 75 и 110: переместите вверх и назад верхний клипс крышки рабочего колеса (4, Рисунок 11-С). Сблокируйте рабочее колесо, повернув его против часовой стрелки (5) и извлеките его (6).

Рисунок 11-С
(Tidal 75 & 110)



Промойте рабочее колесо для удаления загрязнений и известкового налета. Не используйте мыло или моющие средства. В качестве моющего средства для удаления известкового налета используйте разбавленный раствор, состоящий из воды и уксуса.

После осуществления очистки, замените рабочее колесо и убедитесь в том, что оно свободно двигается вокруг вала, после чего замените крышку всасывания насоса. Установите оставшиеся комплектующие части в обратном порядке. Наличие известкового налета и износ насоса могут спровоцировать шумную работу фильтра, но никак не влияют на его эксплуатационные качества. Для устранения шума во время работы фильтра рекомендуем заменить рабочее колесо насоса.

Seachem Laboratories, Inc.
1000 Seachem Drive
Madison, GA 30650, USA
888-SEACHEM • www.seachem.com

Made in Italy by
Sicce S.r.l.
Via Emanuele, 115 - 36050 Pozzoleone (VI) - Italy
+39 0444 462826 • www.sicce.com